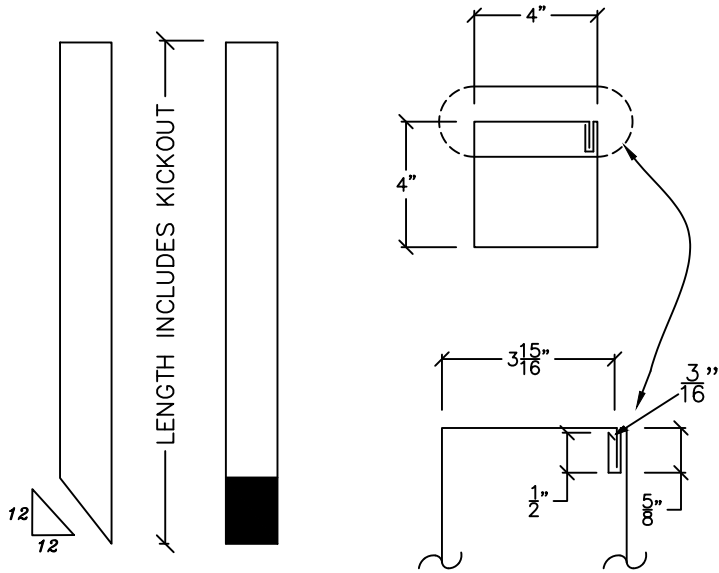


STD EAVE DOWNSPOUT

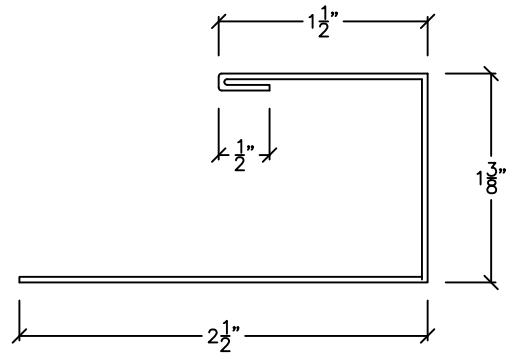
A
17



(17 ³/₄" STRETCH)

WINDOW SILL TRIM

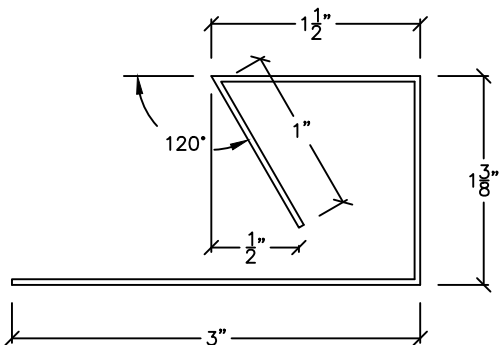
A
18



(5 ⁷/₈" STRETCH)

DOOR JAMB TRIM

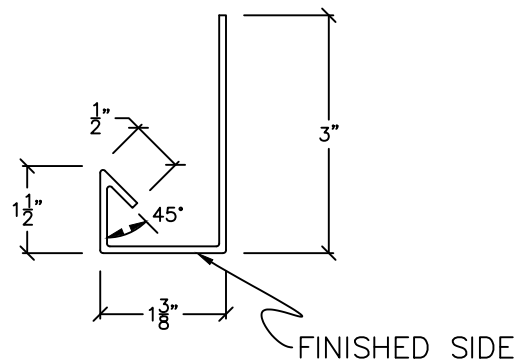
A
19



(6 ⁷/₈" STRETCH)

HEADER TRIM "U" PANEL

A
20



(6 ³/₈" STRETCH)