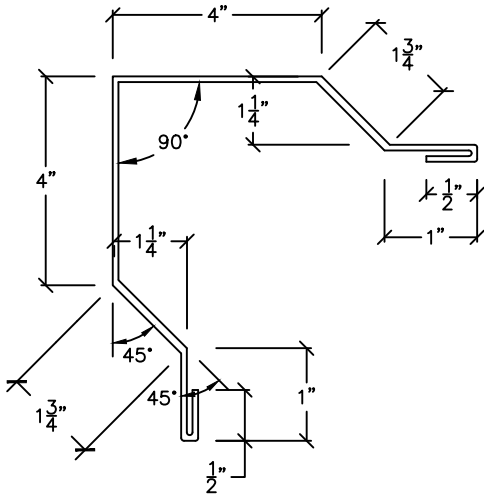


CORNER TRIM

A
13



(14 1/2" STRETCH)

EAVE GUTTER

A
14

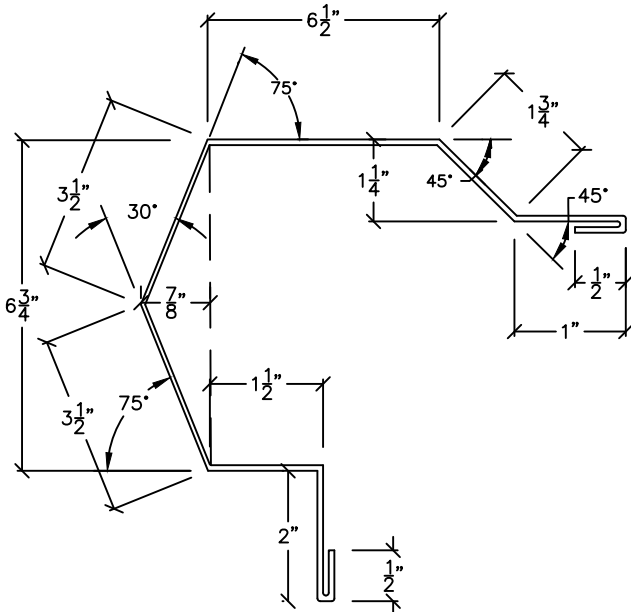
SEE PAGE 4A

(STRETCH)

REV. 11/6/2020

RAKE TRIM

A
15

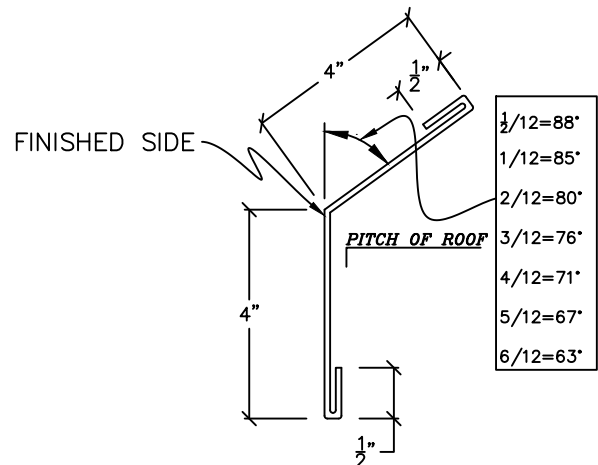


(20 3/4" STRETCH)

REV. 11/6/2020

EAVE TRIM

A
16



(9" STRETCH)