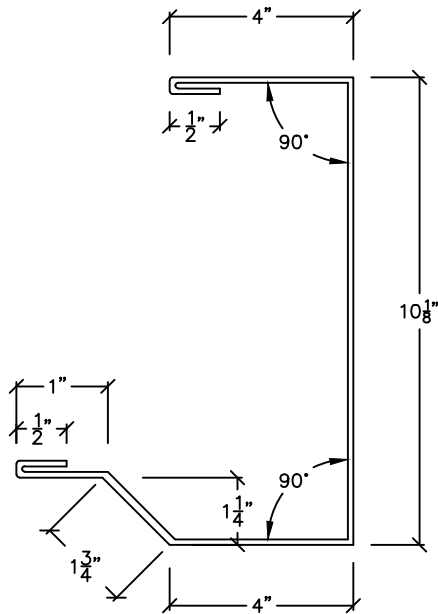


FASCIA/PARAPET CAP

A
128

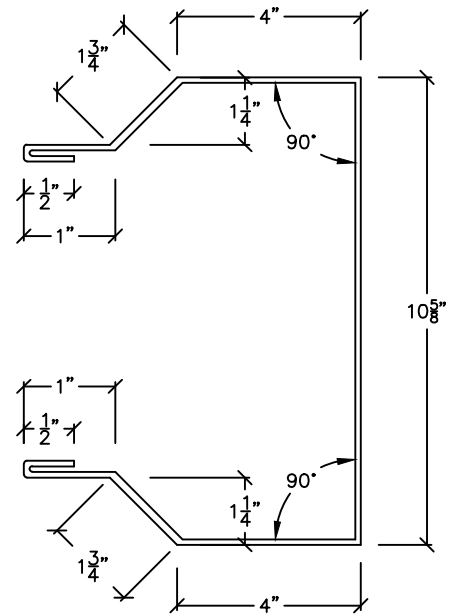


(21 7/8" STRETCH)

REVISED 11/16/21

FASCIA/PARAPET CAP

A
129

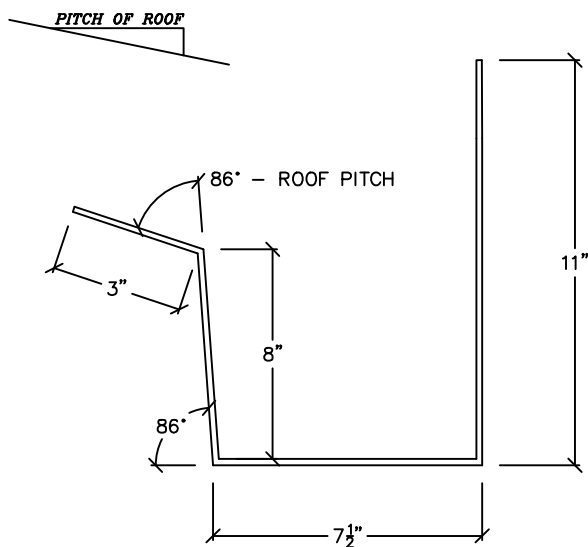


(25 1/8" STRETCH)

ISSUED 9/7/21

FASCIA/PARAPET GUTTER

A
130

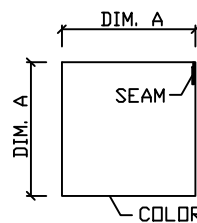


(29 1/2" STRETCH)

ISSUED 9/9/21

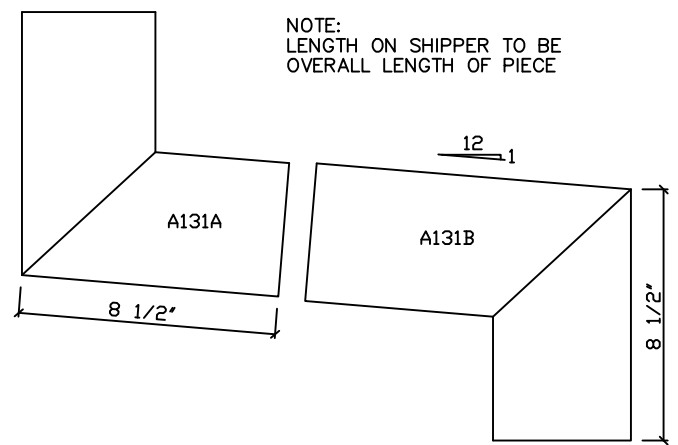
DOWNSPOUT RETURN

A
131A, 131B



MARK	DIM. A	STRETCH OUT
A131A	3 3/4"	16 3/4"
A131B	3 7/8"	17 1/4"

NOTE:
LENGTH ON SHIPPER TO BE
OVERALL LENGTH OF PIECE



REV. 3/20/23