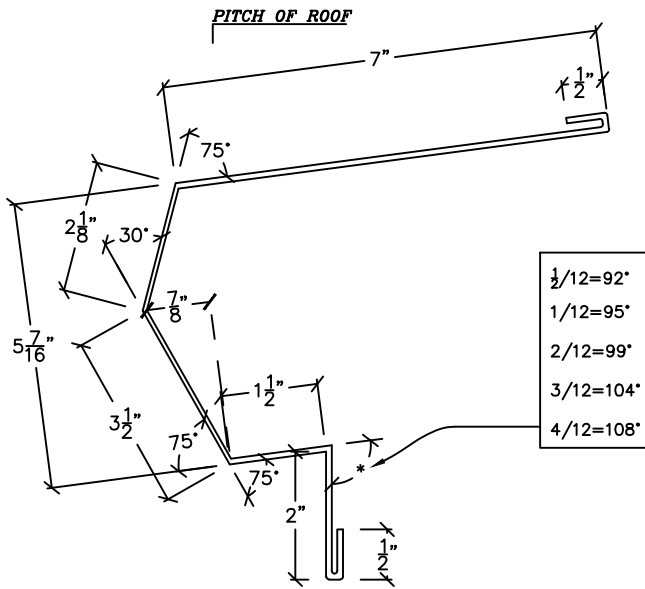


SCULPTURED EAVE TRIM

A
121

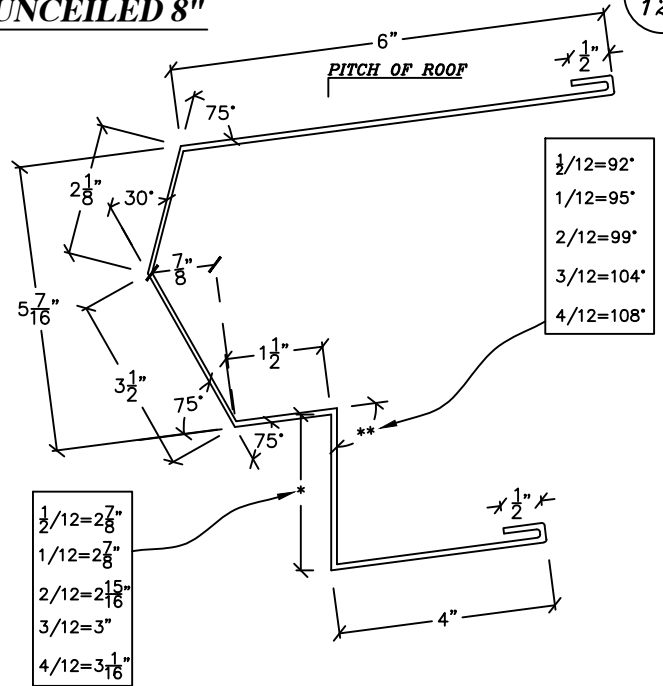


(STRETCH = 17 1/8")

ISSUED 5/19/2023

SCULPTURED EAVE TRIM UNCEILED 8"

A
122

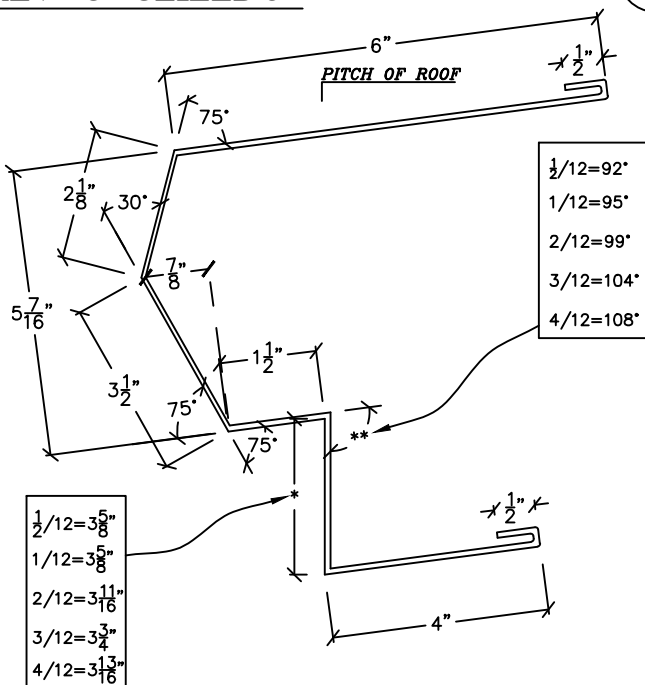


(STRETCH = 18 1/8" + *)

ISSUED 5/19/2023

SCULPTURED EAVE TRIM "U" AND REV "U" CEILED 8"

A
123

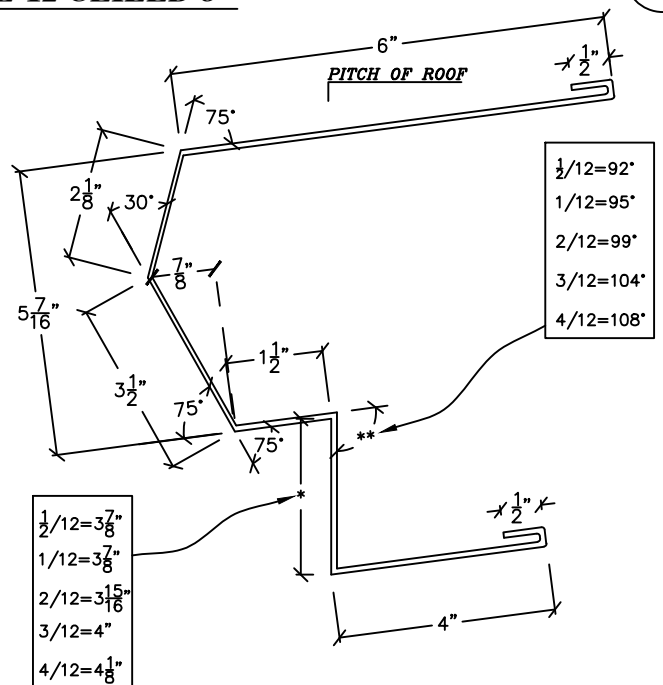


(STRETCH = 18 1/8" + *)

ISSUED 5/19/2023

SCULPTURED EAVE TRIM L-12 CEILED 8"

A
124



(STRETCH = 18 1/8" + *)

ISSUED 5/19/2023