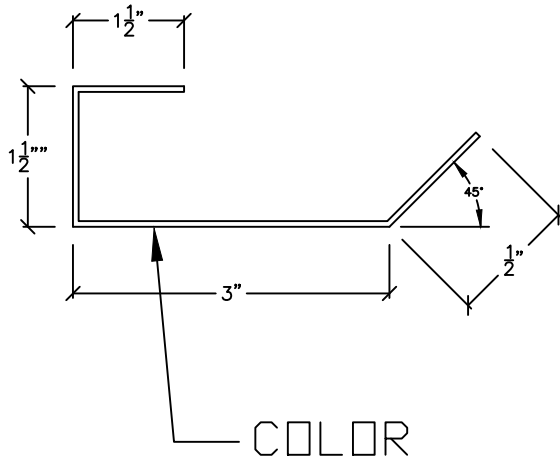


VENTED RIDGE TRIM

A
113

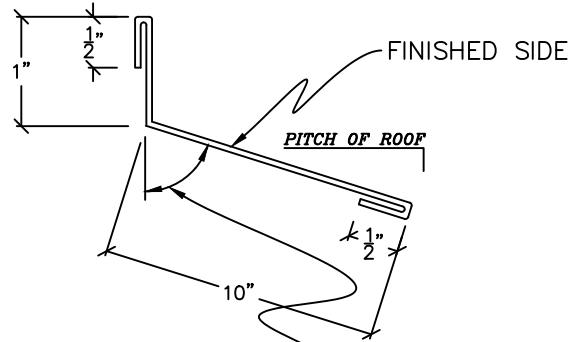


(6 1/2" STRETCH)

REV. 3/19/2014

LEAN-TO FLASHING
WHEN FLASHING TO SOLID WALLS

A
114



1/2/12 = 88°
1/12 = 85°
2/12 = 80°
3/12 = 76°
4/12 = 71°
5/12 = 67°
6/12 = 64°

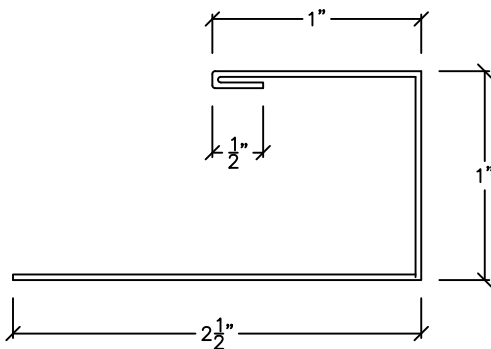
(12" STRETCH)

REV. 1/20/2017

RIDGE ROW END CAP

USE WITH A10 RIDGE ROW

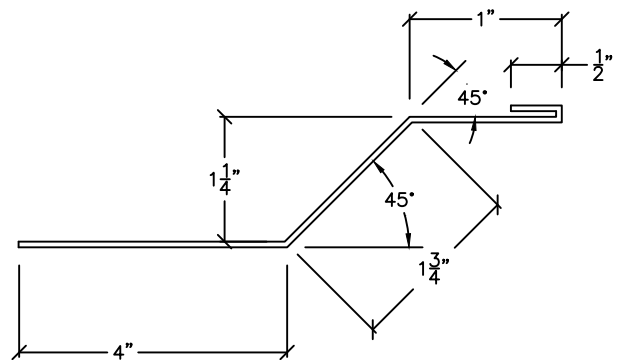
A
115



(5" STRETCH)

"R" PANEL CLOSURE PLATES

A
116



(7 1/4" STRETCH)