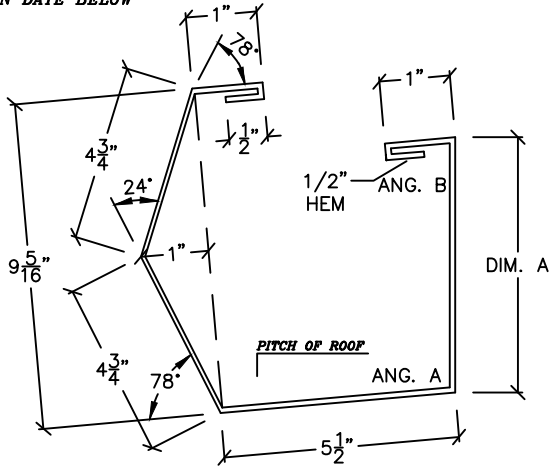


S.S.R. GUTTER BATTENLOK (2" PANEL)

A
109

DETAILER NOTE:
USE OLD TRIM PROFILE FOR JOBS PRIOR TO
REVISION DATE BELOW



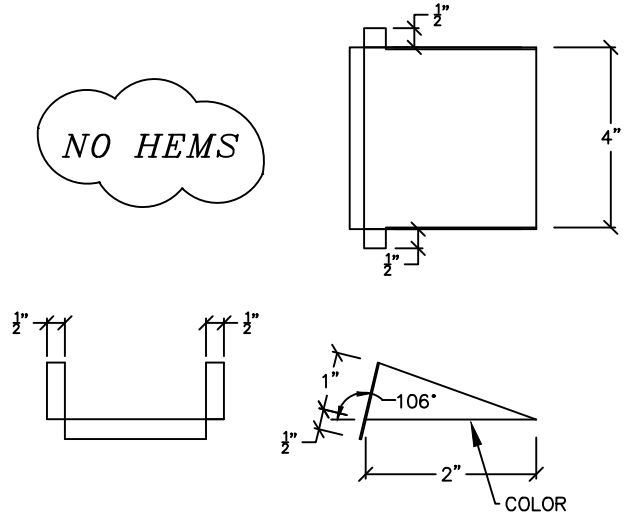
MARK	SLOPE	DIM. A	ANGLE A	ANGLE B	STRETCH OUT
A109A	1/4:12	7"	91°	89°	25"
A109B	1/2:12	7"	92°	88°	25"
A109C	1:12	7"	95°	85°	25"
A109D	2:12	7"	99°	81°	25"
A109E	3:12	7 3/16"	104°	76°	25 3/16"
A109F	4:12	7 3/8"	108°	72°	25 3/8"
A109G	5:12	7 9/16"	113°	67°	25 9/16"
A109H	6:12	7 13/16"	117°	63°	25 13/16"

REV. 5/18/2023

OVERFLOW SCUPPER FOR GUTTER

A
110

NO HEMS

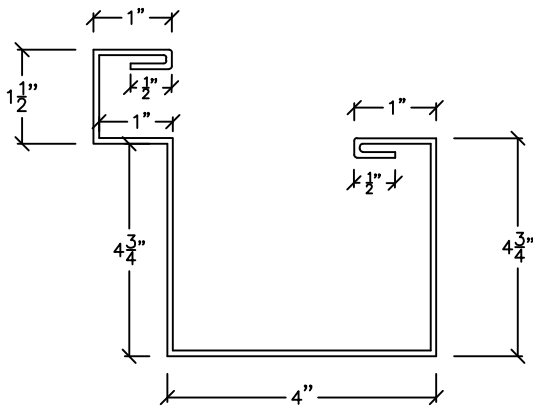


(6" STRETCH)

REV. 3/19/2014

ROD HUNG CANOPY GUTTER "R"

A
111

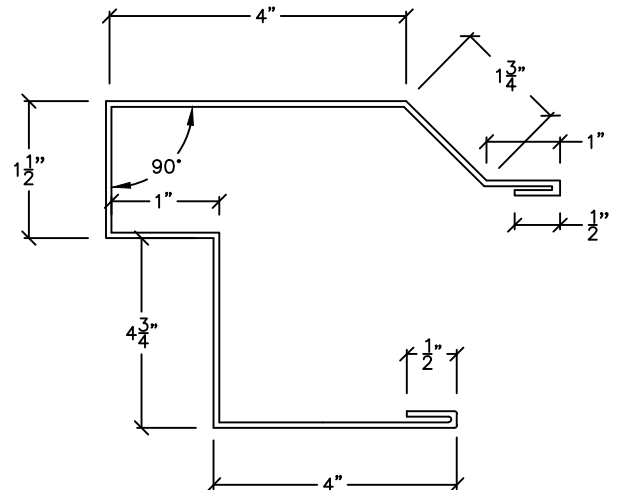


(19" STRETCH)

REV. 2/11/2021

ROD HUNG CANOPY RAKE "R"

A
112



(19" STRETCH)