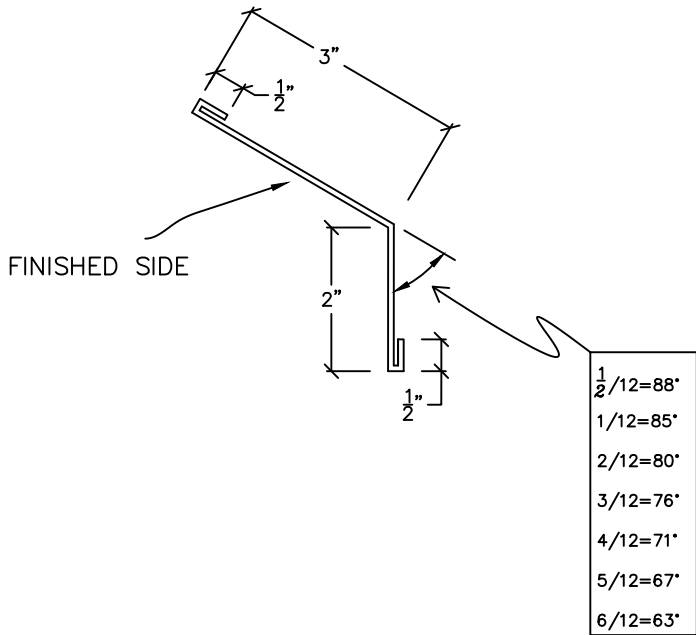


**REVERSE WALL ANGLE TRIM**

A  
97

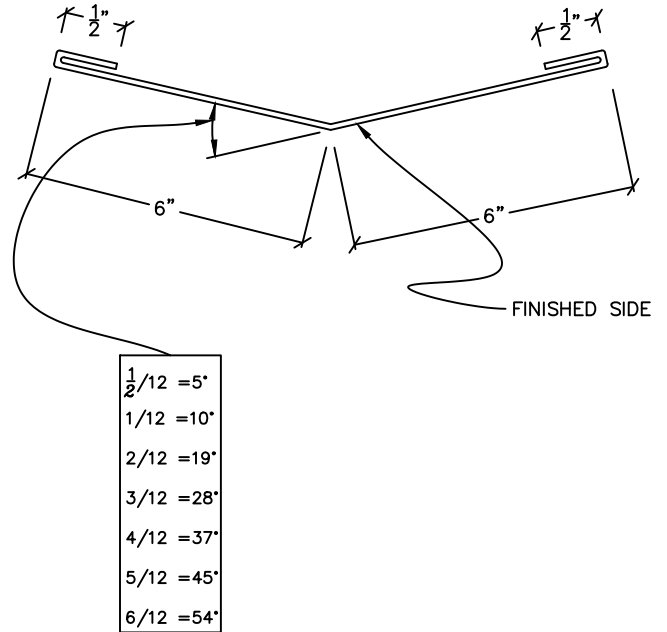


(6" STRETCH)

REV. 3/19/2014

**SOFFIT TRANSITION TRIM**

A  
98

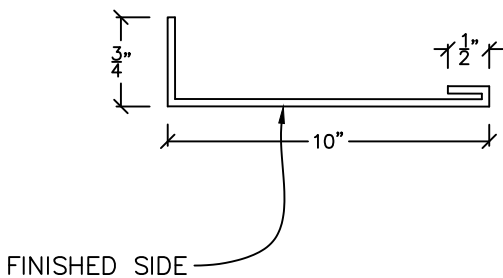


(13" STRETCH)

REV. 3/19/2014

**"U" PARTITION WALL TRIM 8"**

A  
99

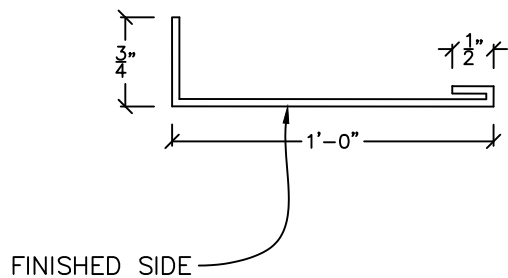


(11 1/4" STRETCH)

REV. 5/30/2014

**"U" PARTITION WALL TRIM 10"**

A  
100



(13 1/4" STRETCH)

REV. 3/19/2014