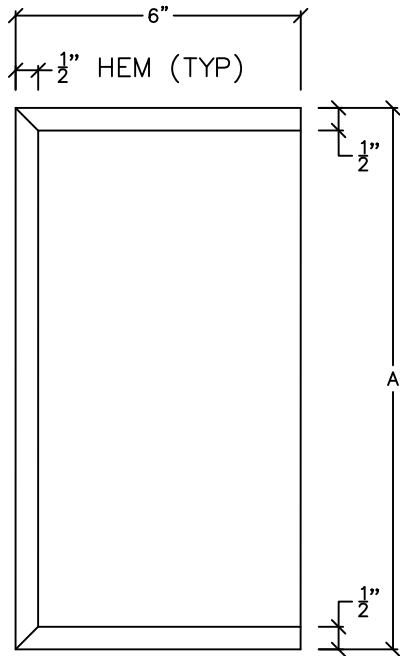


SOFFIT COLUMN FLASHING

A
93

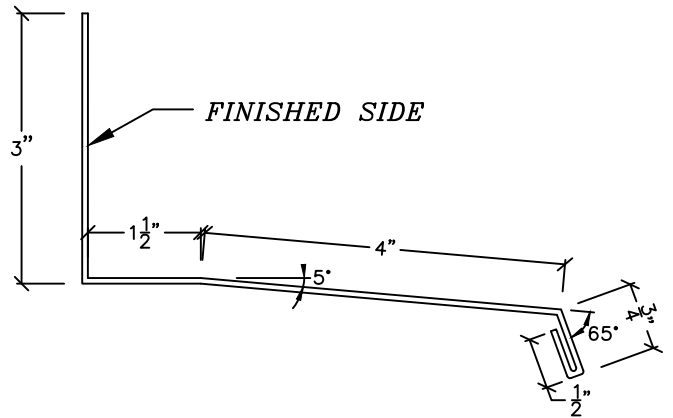


(6 1/2" STRETCH)

REV. 1/13/2021

BRICK FLASHING

A
94

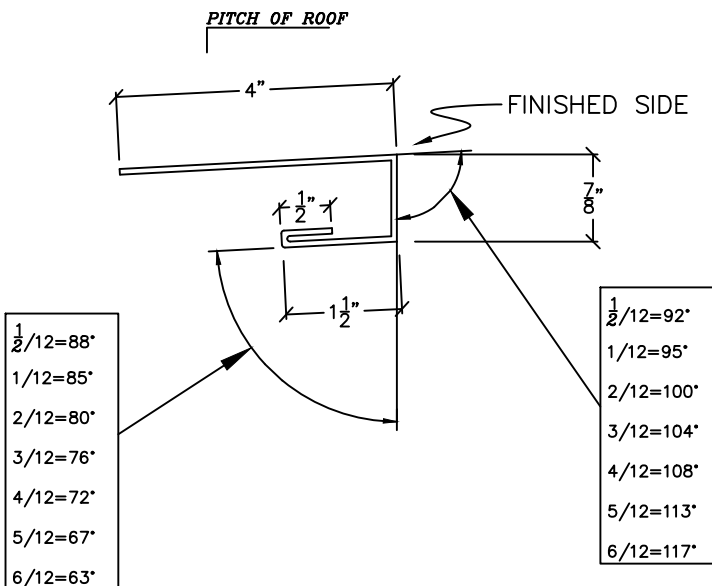


(9 3/4" STRETCH)

REV. 8/23/2021

"U" PANEL SOFFIT TRIM

A
95

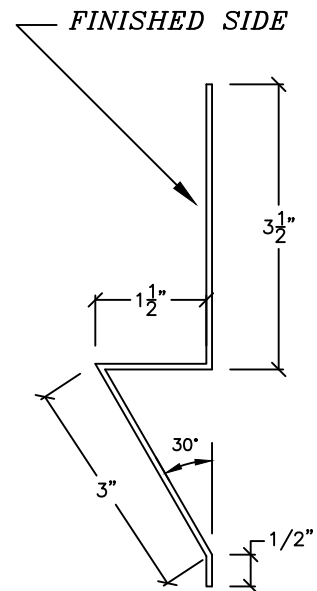


(6 7/8" STRETCH)

REV. 5/21/2014

ALT. BASE TRIM

A
96



(8 1/2" STRETCH)

REV. 3/19/2014