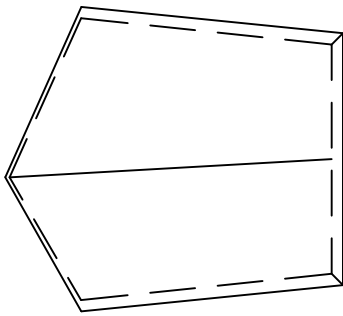


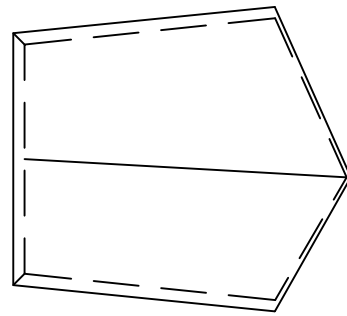
RIGHT GUTTER END

A
81



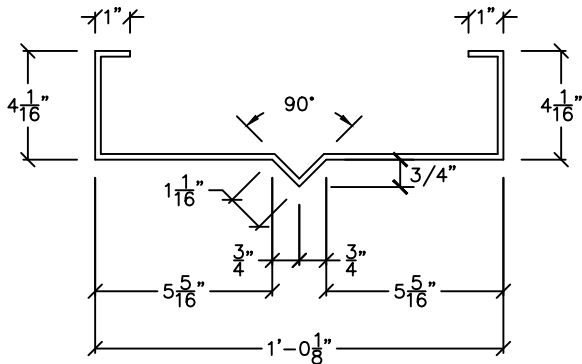
LEFT GUTTER END

A
82



12" COLUMN WRAP

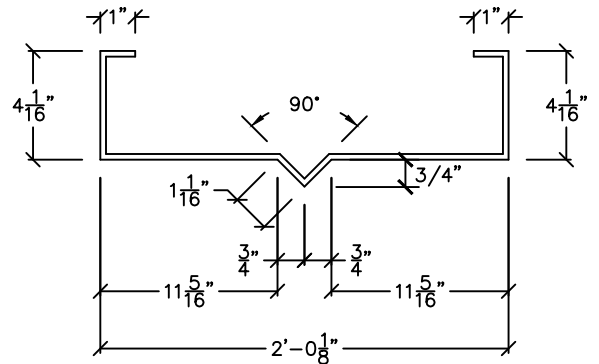
A
83



(22 7/8" STRETCH)

24" COLUMN WRAP

A
84



(34 7/8" STRETCH)