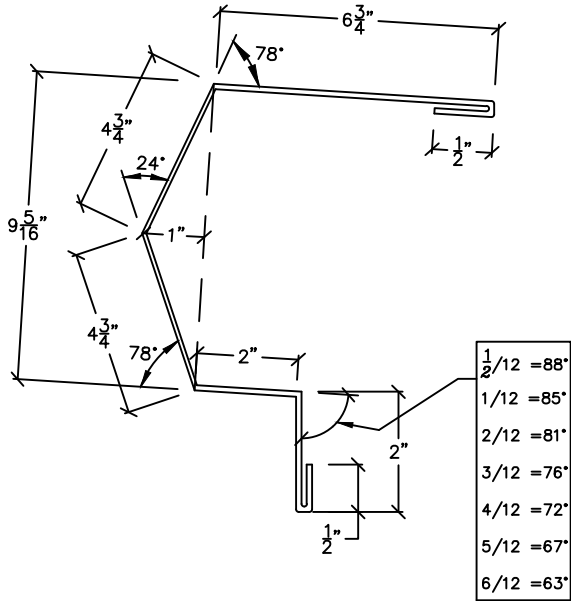


S.S.R. HIGH SIDE EAVE

DETAILER NOTE:
WORKS UP TO 6:12 WITH PBR WALL PANEL

USE OLD TRIM PROFILE FOR JOBS PRIOR TO
REVISION DATE BELOW

A5



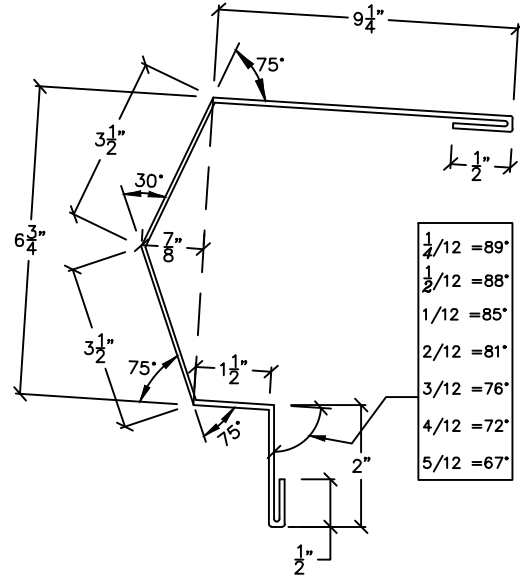
(21 1/4" STRETCH)

REV. 1/5/23

HIGH SIDE EAVE TRIM

DETAILER NOTE:
USE OLD TRIM PROFILE FOR JOBS PRIOR TO
REVISION DATE BELOW

A6



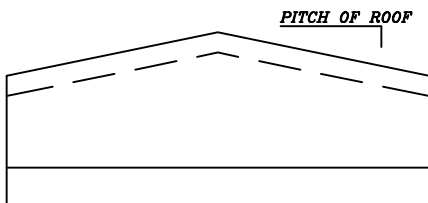
(20 3/4" STRETCH)

REV. 8/11/22

PEAK BOX

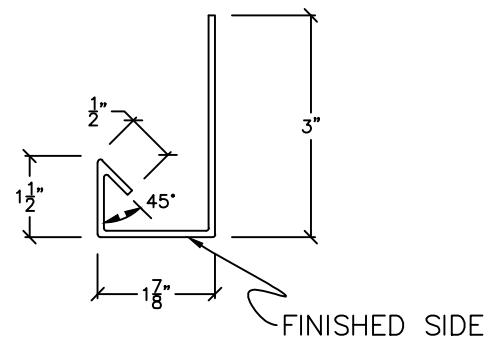
DETAILER NOTE:
NO PEAK BOX AT BOX STYLE RAKE.
NO PEAK BOX 5:12 PITCH AND UP. MITER RAKE.

A7



HEADER TRIM

A8



(6 7/8" STRETCH)