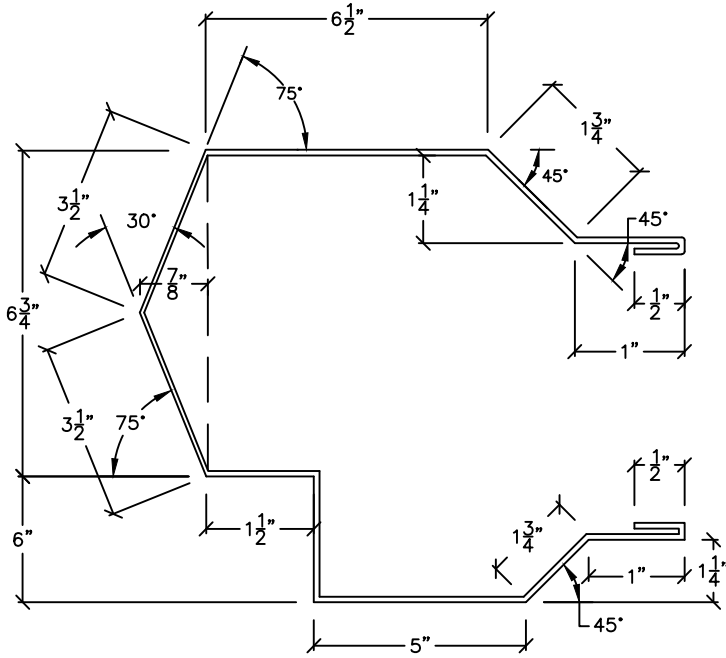


CEILED CANOPY RAKE 10"
"R" PANEL ROOF & SOFFIT

A
69

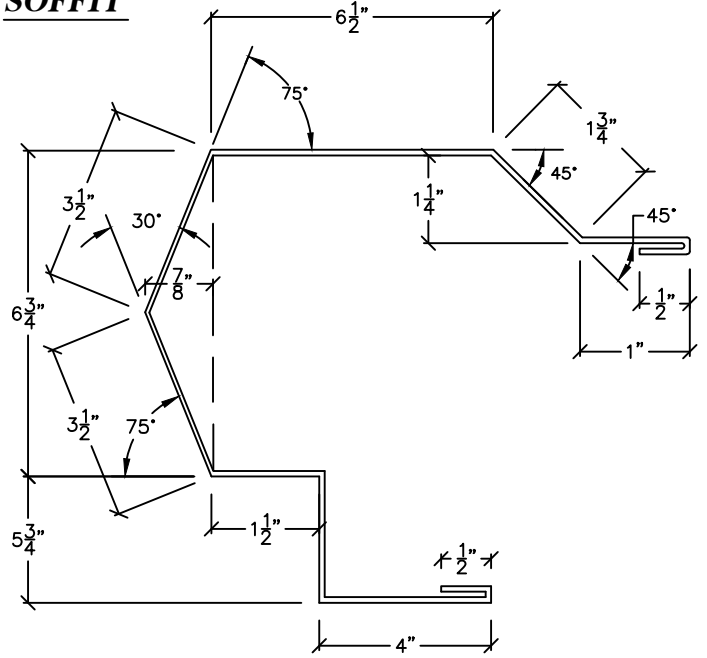


(32½" STRETCH)

REV. 5/18/2023

CEILED CANOPY RAKE 10"
"R" PANEL ROOF/ REV."U" & L-12 SOFFIT

A
70

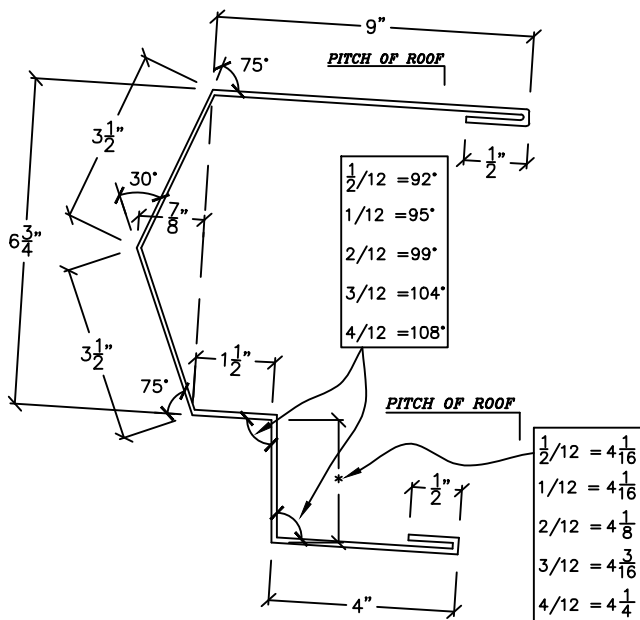


(28½" STRETCH)

REV. 5/18/2023

CEILED HIGH SIDE EAVE 8"
"R" PANEL ROOF & SOFFIT

A
71

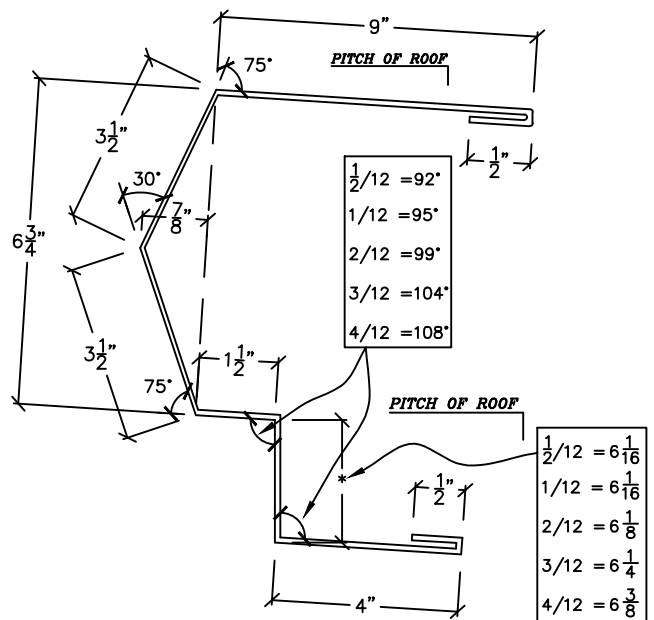


(STRETCH = 22½" + *)

REV. 5/18/2023

CEILED HIGH SIDE EAVE 10"
"R" PANEL ROOF & SOFFIT

A
72



(STRETCH = 22½" + *)

REV. 5/18/2023