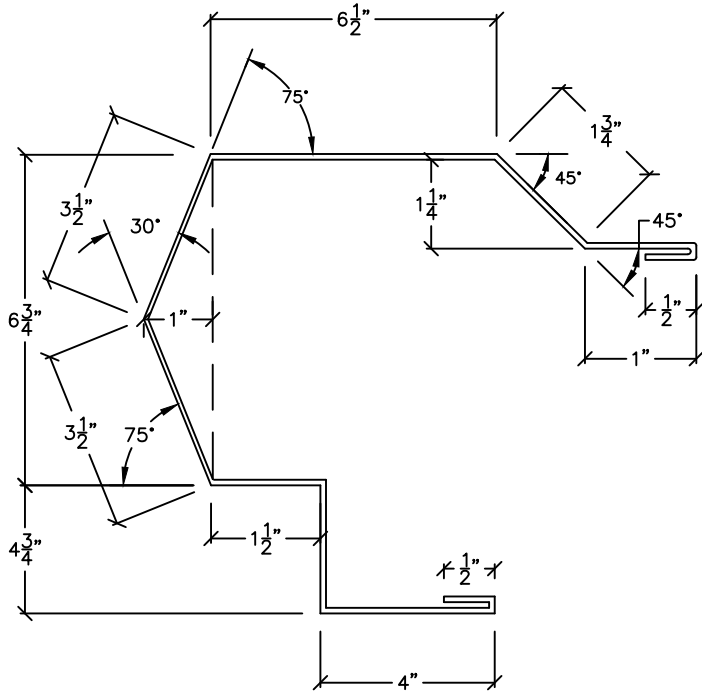


**UNCEILED CANOPY RAKE 10"
"R" PANEL**

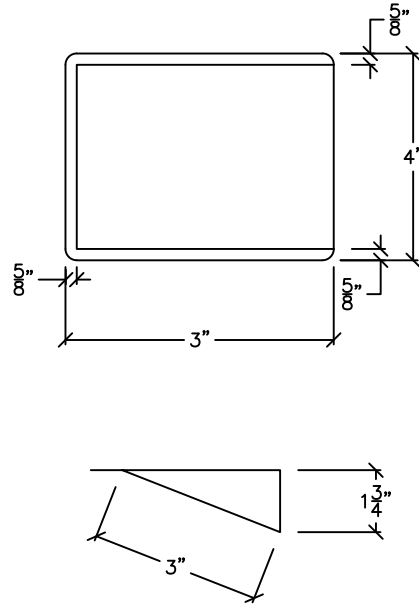
A
57



(27 1/2" STRETCH)

CANOPY SCUPPER

A
58

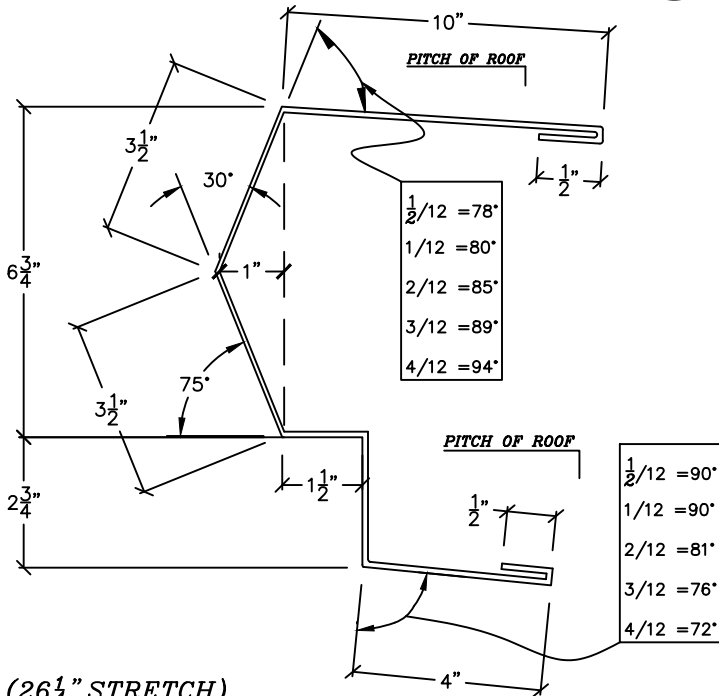


(7 1/2" STRETCH)

REV. 3/19/2014

**UNCEILED HIGH SIDE RAKE 8"
OPEN WALL "R" PANEL**

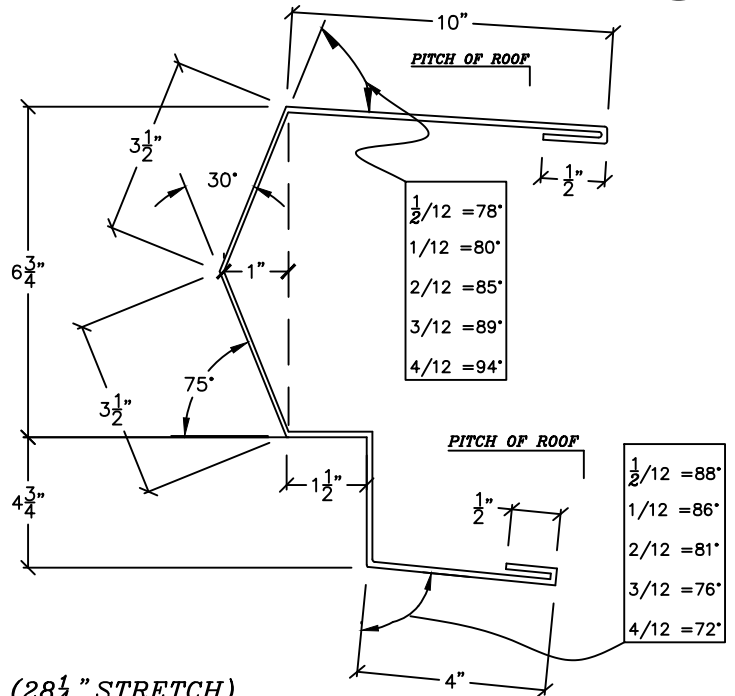
A
59



(26 1/4" STRETCH)

**UNCEILED HIGH SIDE RAKE 10"
OPEN WALL "R" PANEL**

A
60



(28 1/4" STRETCH)