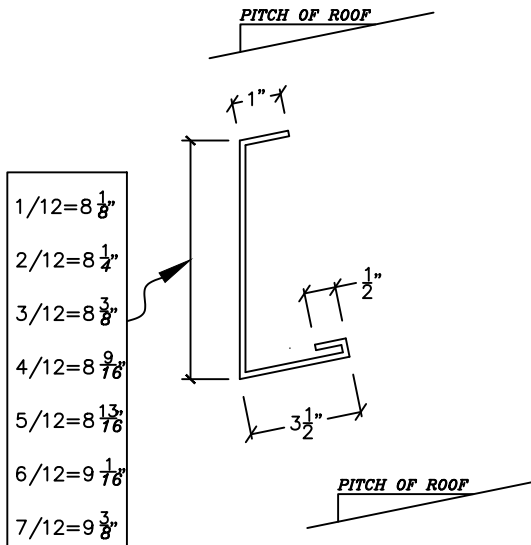


**OPEN WALL EAVE STRUT WRAP 8" UNCEILED**

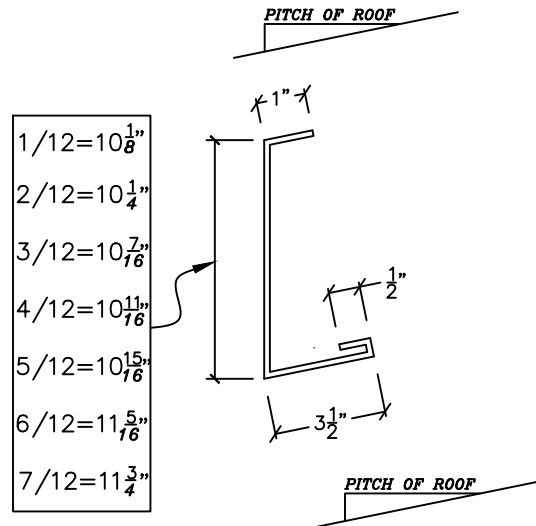
A  
53



(STRETCH VARIES)

**OPEN WALL EAVE STRUT WRAP 10" UNCEILED**

A  
54

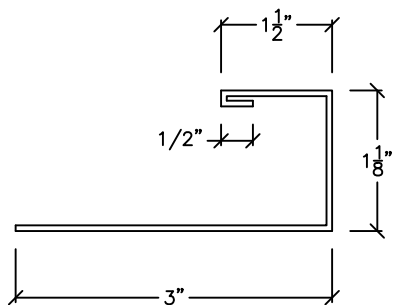


(STRETCH VARIES)

REV. 3/19/2014

**JAMB TRIM FOR L-12**

A  
55

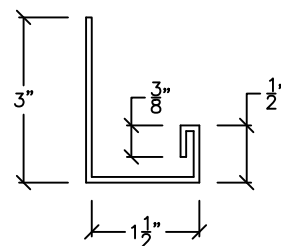


(6 1/8" STRETCH)

REV. 3/19/2014

**HEADER TRIM @ OPEN WALL FOR MASONRY**

A  
56



(5 3/8" STRETCH)