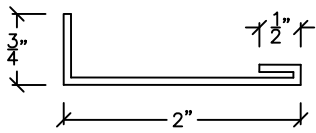


CANOPY SOFFIT TRIM @ WALL

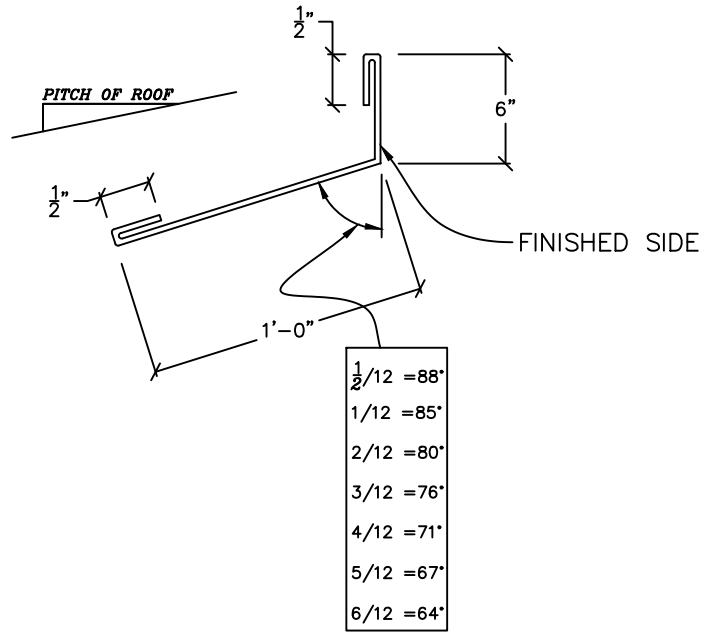
A
37



(3 1/4" STRETCH)

INSULATION SUPPORT @ LEAN - TO

A
38

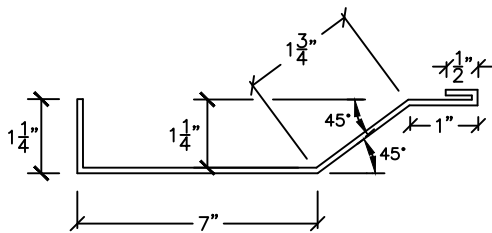


(19" STRETCH)

REV. 3/19/2014

PARTITION WALL TRIM

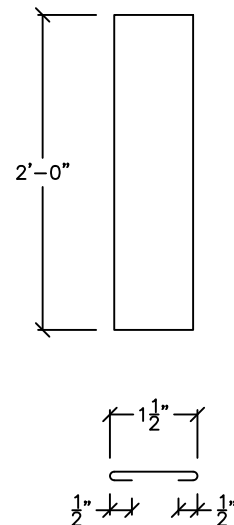
A
39



(11 1/2" STRETCH)

DOWNSPOUT STRAP

A
40



(2 1/2" STRETCH)