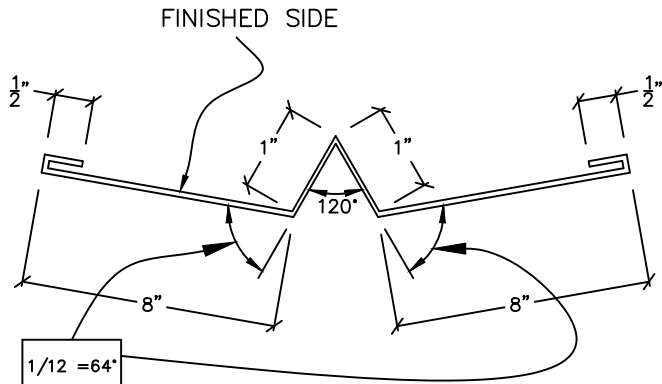


VALLEY FLASHING HS

RT
-01

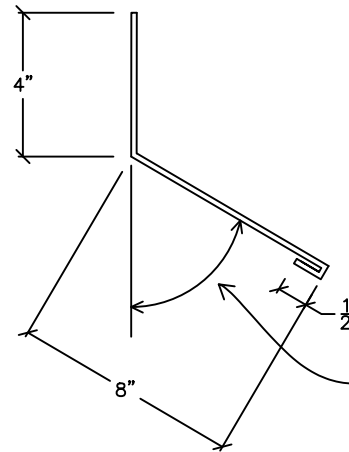


1/12 = 64°
2/12 = 67°
3/12 = 70°
4/12 = 73°
5/12 = 76°
6/12 = 79°
7/12 = 81°

(21" STRETCH)

H WALL TRANSITION TRIM

RT
-02

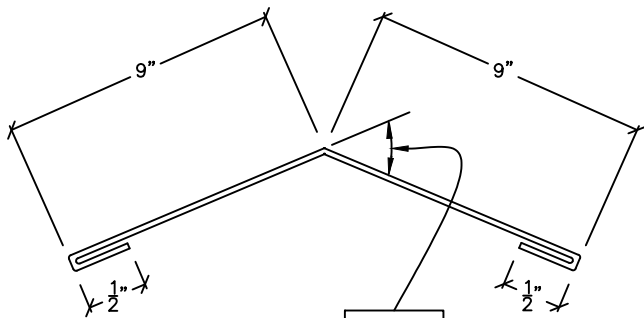


1/2/12=88°
1/12=85°
2/12=80°
3/12=76°
4/12=71°
5/12=67°
6/12=63°

(12 1/2" STRETCH)

RIDGE ROW

RT
-09

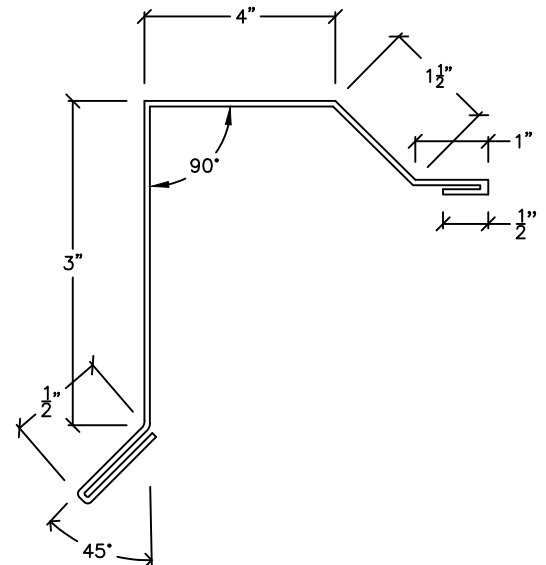


1/12 = 7°
2/12 = 14°
3/12 = 20°
4/12 = 26°
5/12 = 32°
6/12 = 37°
7/12 = 42°

(19" STRETCH)

RAKE TRIM "R"

RT
-10



(11" STRETCH)