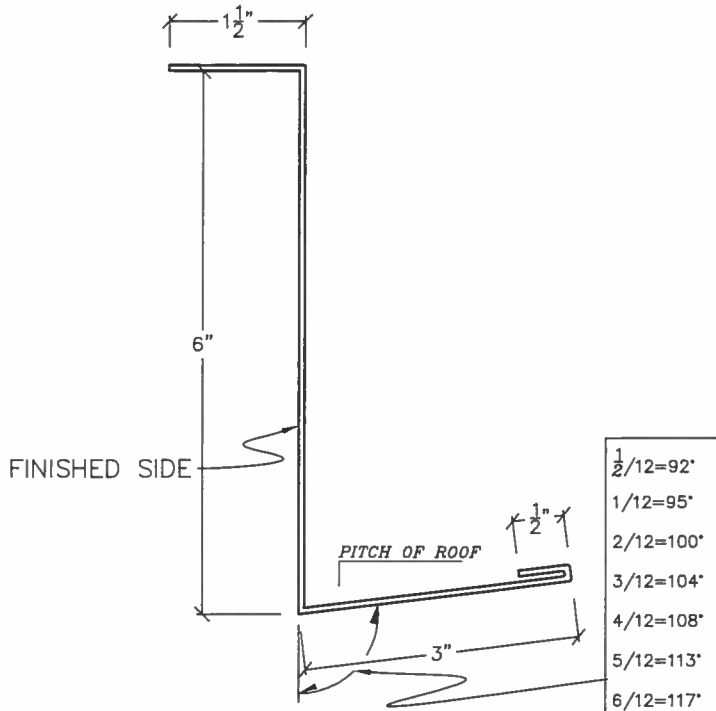


**CANOPY EAVE TRIM**

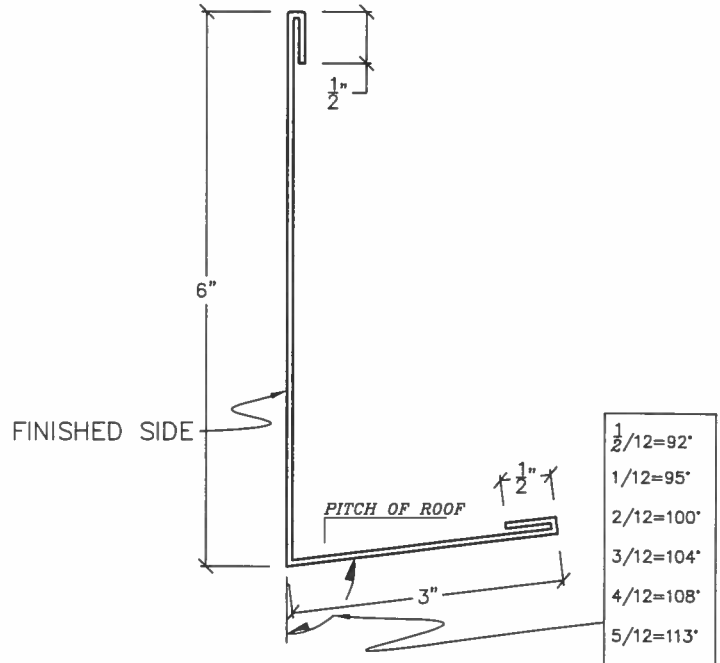
A1



(11" STRETCH)

**ROOF OVERHANG TRIM**

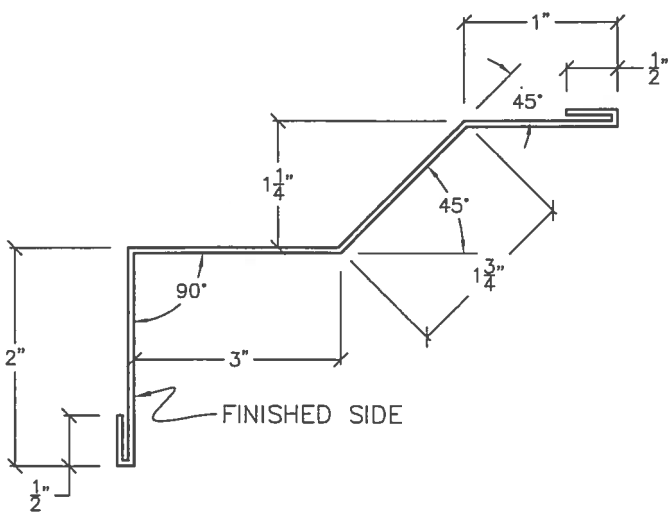
A2



(10" STRETCH)

**WALL CLOSURE TRIM**

A3

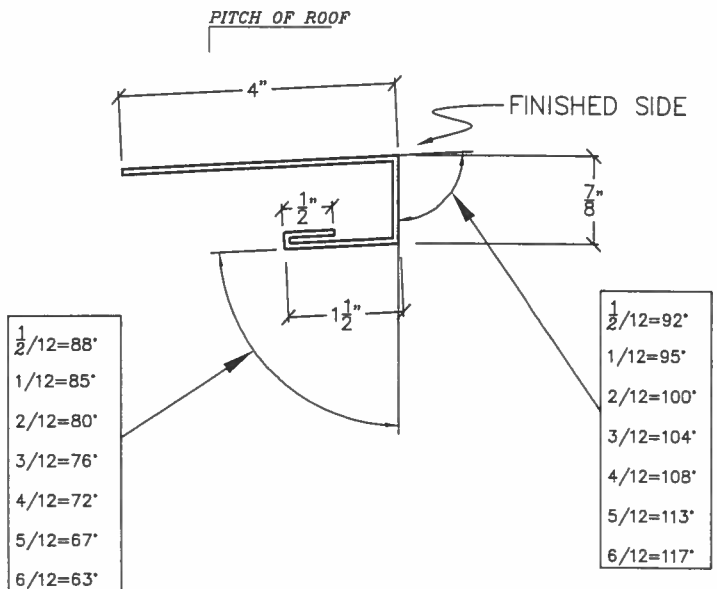


(8 3/4" STRETCH)

REV. 3/19/2014

**"U" PANEL SOFFIT TRIM**

A4

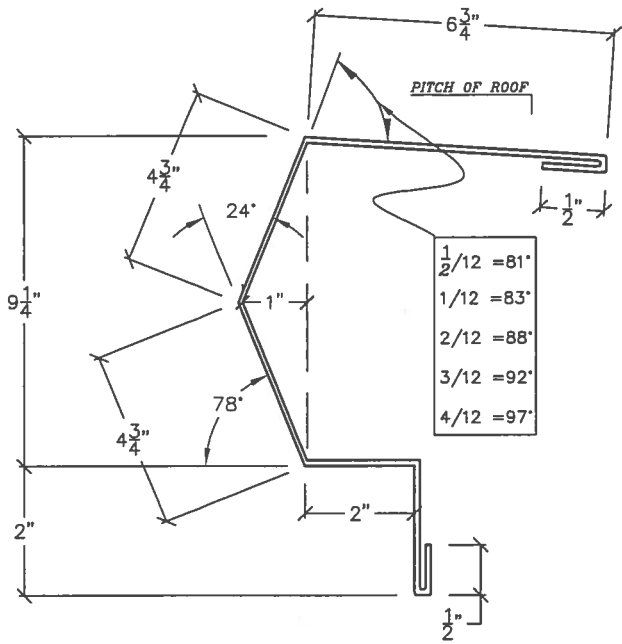


(6 7/8" STRETCH)

REV. 3/19/2014

S.S.R. HIGH SIDE RAKE

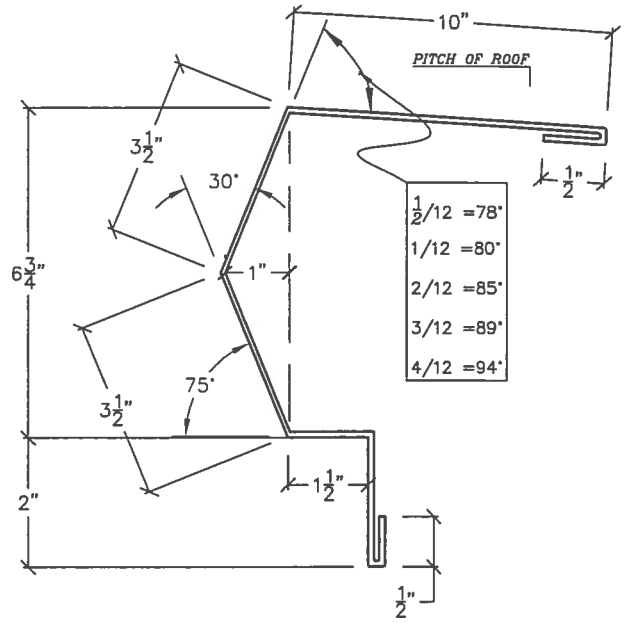
A5



( $21\frac{1}{2}$ " STRETCH)

HIGH SIDE RAKE TRIM

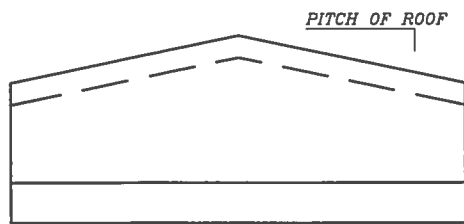
A6



( $21\frac{1}{2}$ " STRETCH)

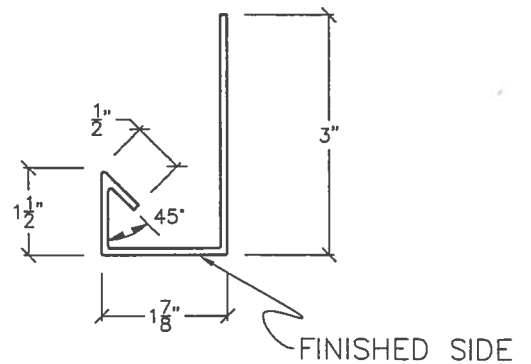
PEAK BOX

A7



HEADER TRIM

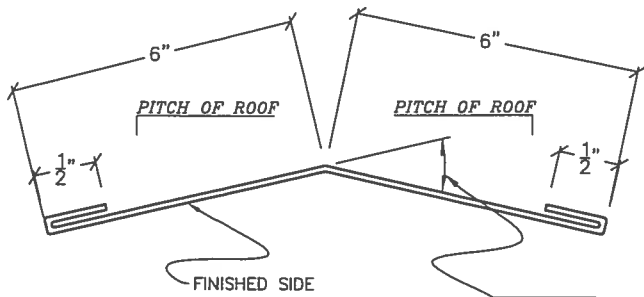
A8



( $6\frac{7}{8}$ " STRETCH)

**CEILED EXTENSION SOFFIT TRIM**

A9

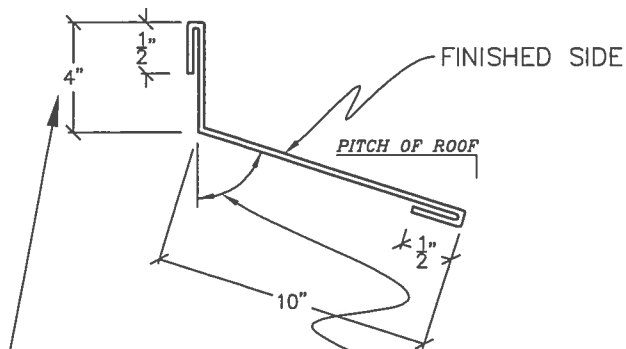


1/2/12 = 5°
1/12 = 10°
2/12 = 19°
3/12 = 28°
4/12 = 37°
5/12 = 45°
6/12 = 54°

(13" STRETCH)

**LEAN-TO FLASHING FOR SPLIT WALLS**

A11



DETAILER NOTE:  
MAKE THIS 2" IF FLASHING TO  
THE FINISH SIDE OF A WALL.

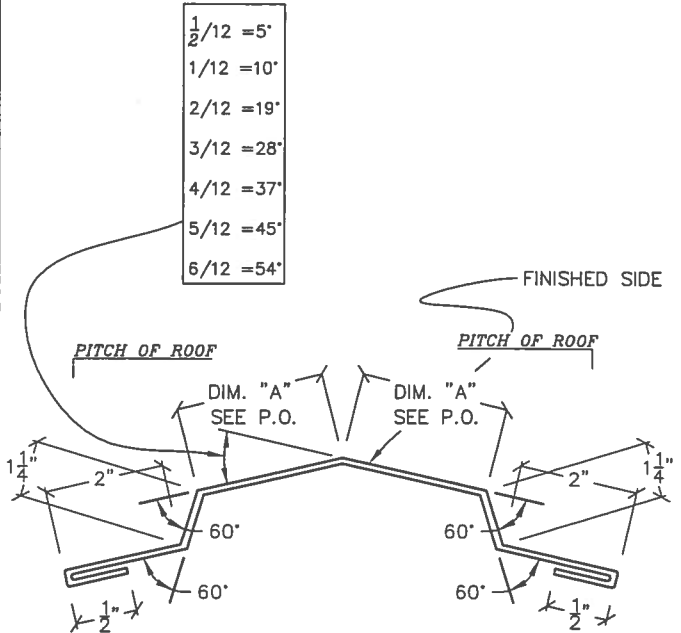
1/2/12 = 88°
1/12 = 85°
2/12 = 80°
3/12 = 76°
4/12 = 71°
5/12 = 67°
6/12 = 64°

(15" STRETCH)

REV. 3/19/2014

**S.S.R. RIDGE ROW**

A10

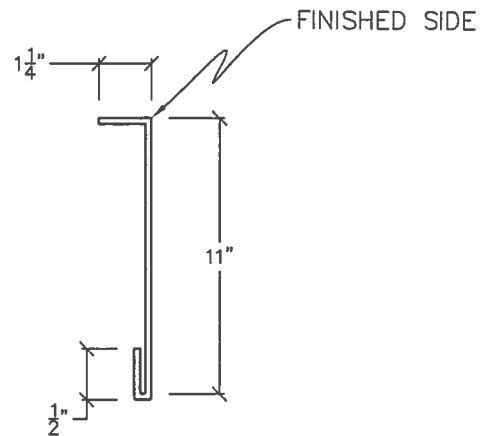


1/2/12 = 5°
1/12 = 10°
2/12 = 19°
3/12 = 28°
4/12 = 37°
5/12 = 45°
6/12 = 54°

(STRETCH VARIES)

**PURLIN FLASHING 8" "R" PANEL**

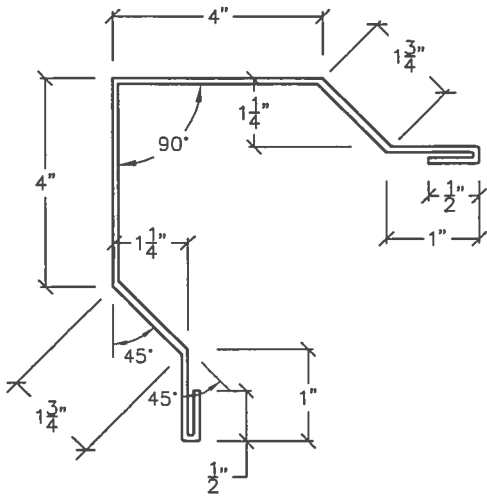
A12



(12 3/4" STRETCH)

**CORNER TRIM**

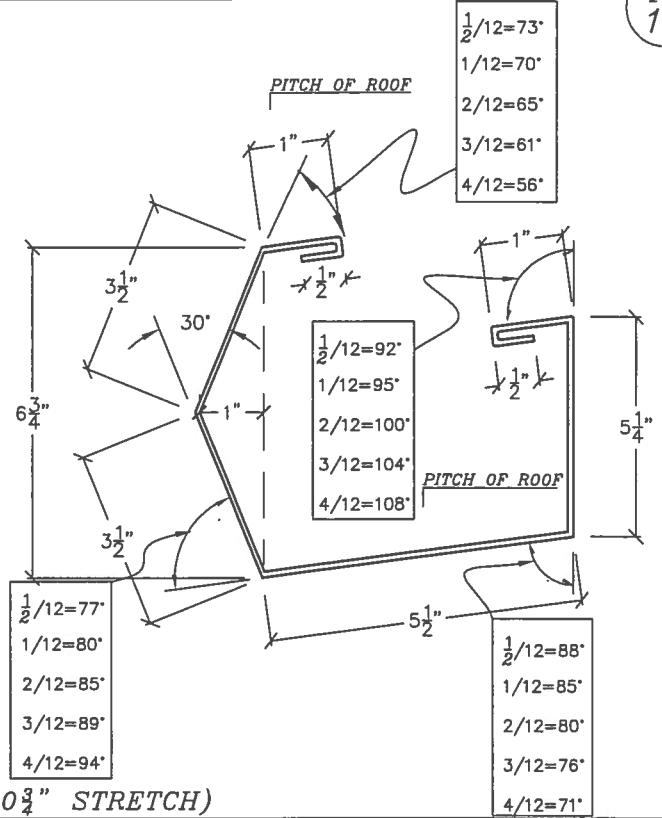
A  
13



(14 1/2" STRETCH)

**EAVE GUTTER**

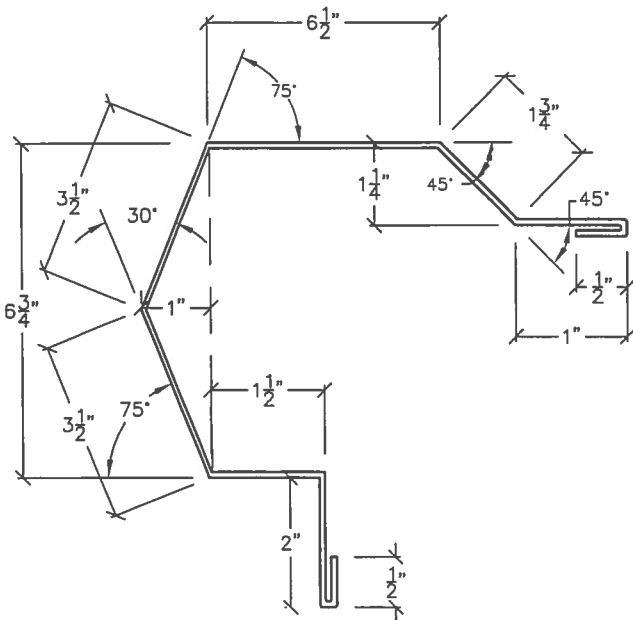
A  
14



(20 3/4" STRETCH)

**RAKE TRIM**

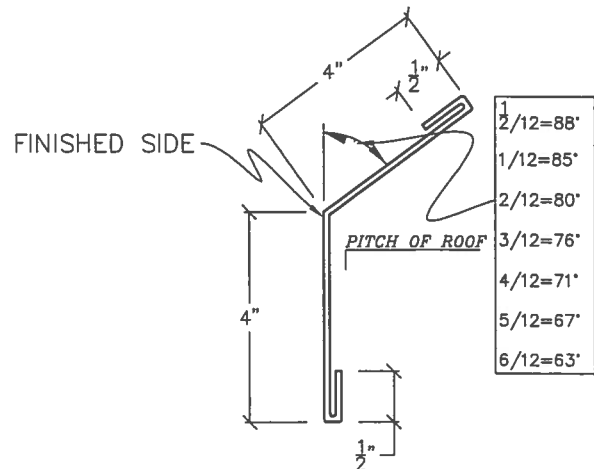
A  
15



(20 3/4" STRETCH)

**EAVE TRIM**

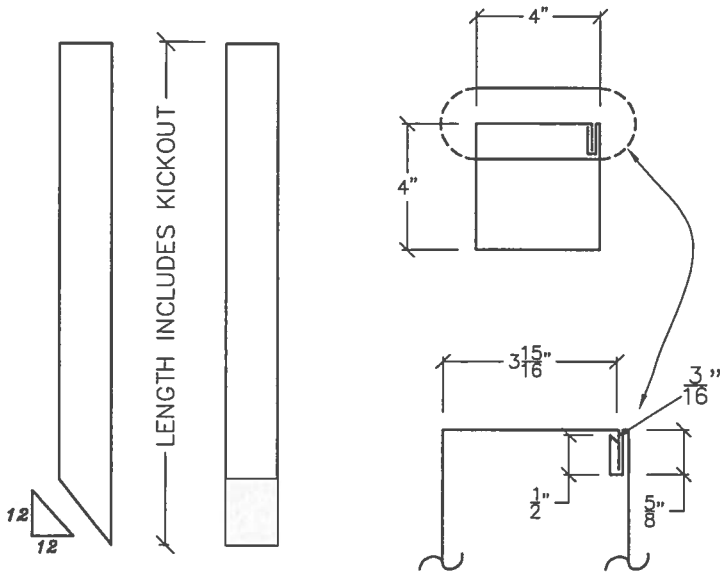
A  
16



(9" STRETCH)

STD EAVE DOWNSPOUT

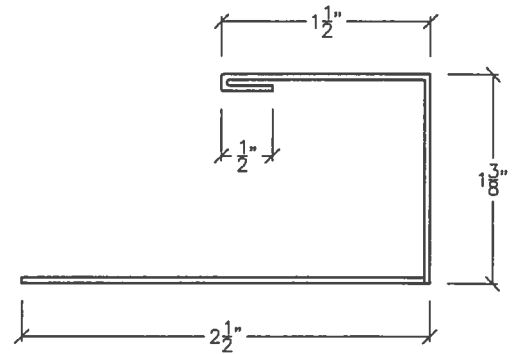
A  
17



(17 3/4" STRETCH)

WINDOW SILL TRIM

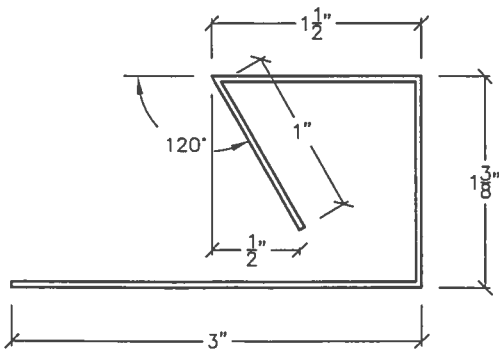
A  
18



(5 7/8" STRETCH)

DOOR JAMB TRIM

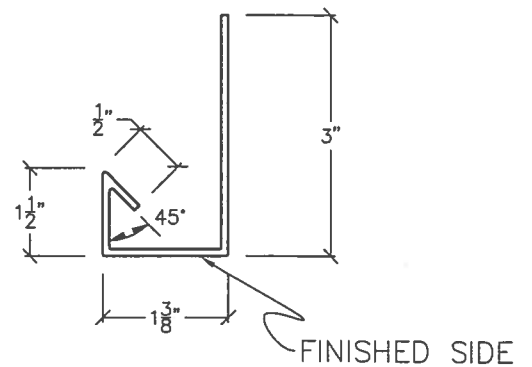
A  
19



(6 7/8" STRETCH)

HEADER TRIM "U" PANEL

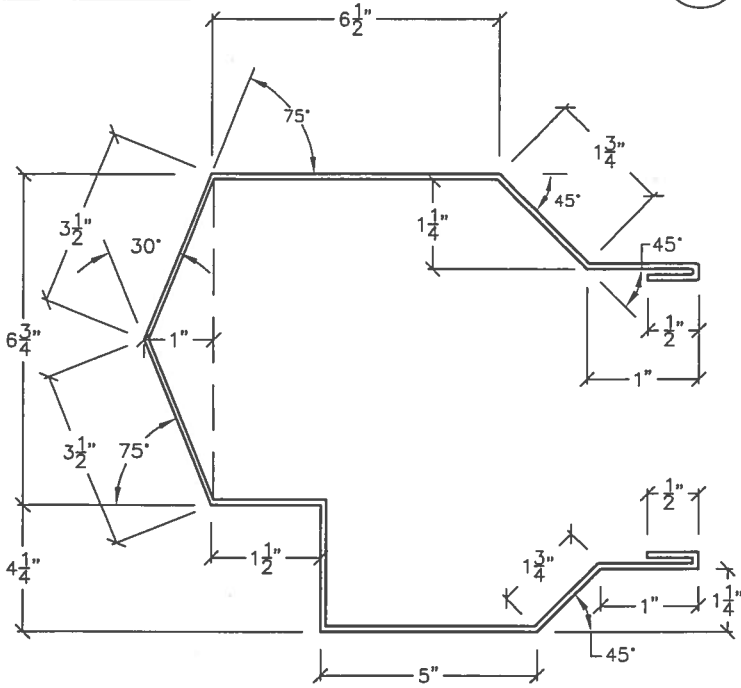
A  
20



(6 3/8" STRETCH)

**CEILED CANOPY RAKE 8"**  
**"R" PANEL**

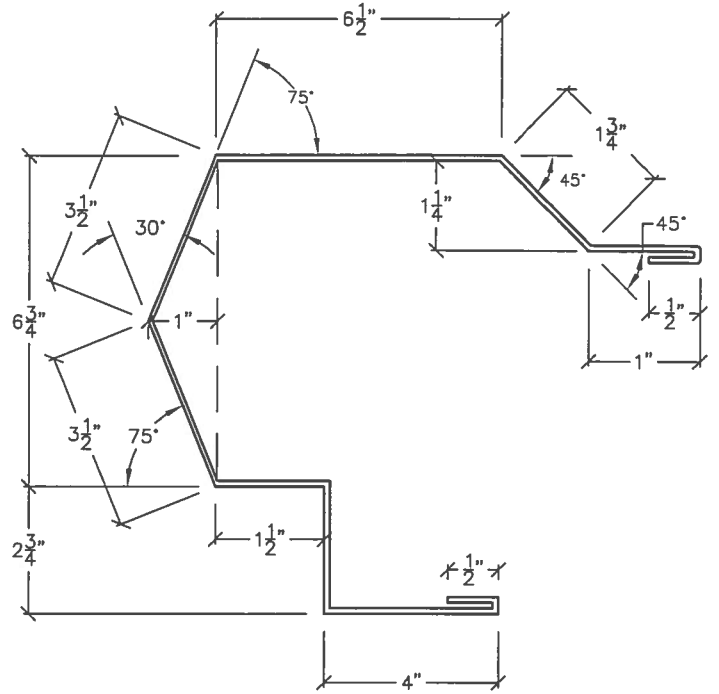
A  
21



(30 3/4" STRETCH)

**UNCEILED CANOPY RAKE 8"**  
**"R" PANEL**

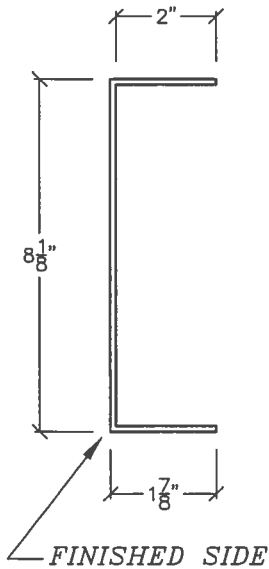
A  
22



(25 1/2" STRETCH)

**SPECIAL CHANNEL COVER**  
**8" CEE**

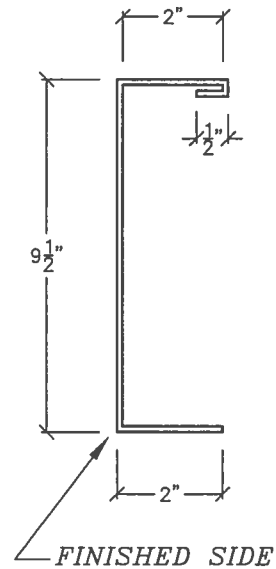
A  
23



(12" STRETCH)

**SPECIAL SILL COVER**  
**8" CEE**

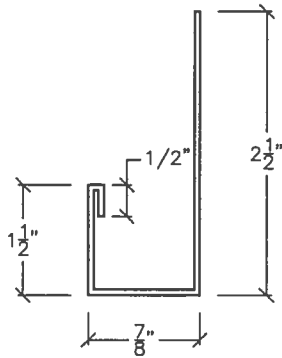
A  
24



(14" STRETCH)

DOOR JAM TRIM FOR 3/4" RIB

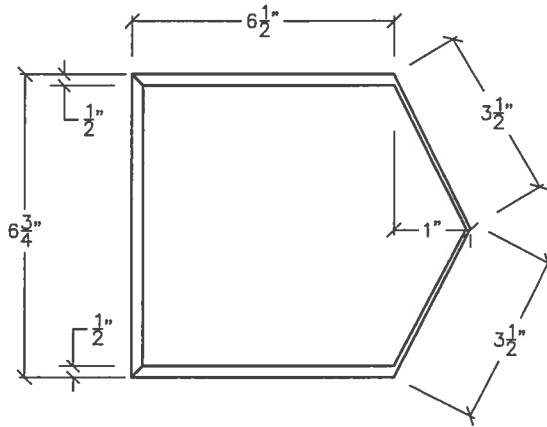
A  
25



(5 3/8" STRETCH)

RAKE END

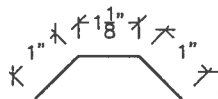
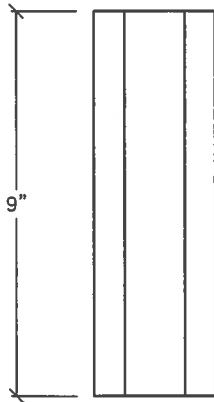
A  
26



(7 3/4" STRETCH)

GUTTER STRAP

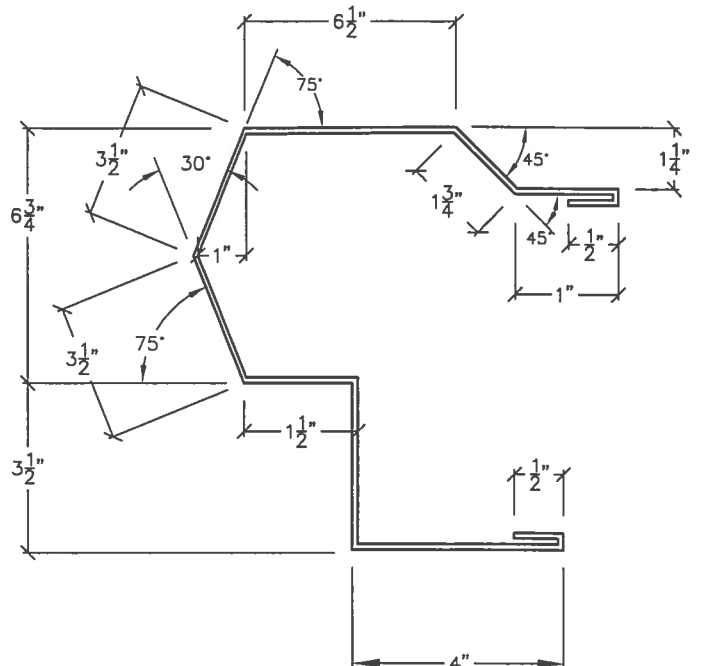
A  
27



(3 1/8" STRETCH)

CEILED CANOPY RAKE 8"  
"R" ROOF/REV."M" & L-12 SOFFIT

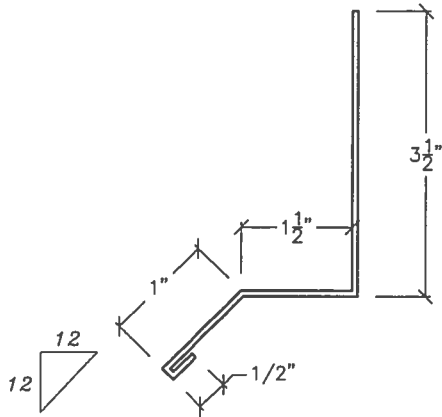
A  
28



(26 1/4" STRETCH)

**BASE TRIM**

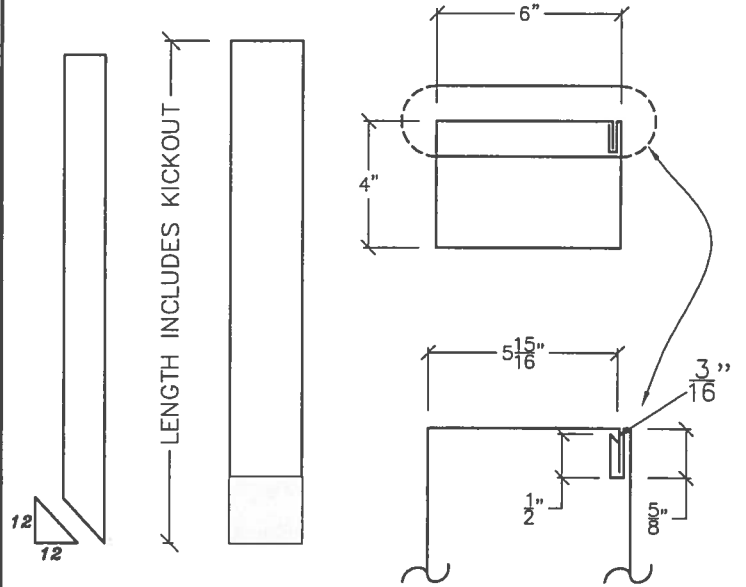
A  
29



(6 1/2" STRETCH)

**4" X 6" EAVE DOWNSPOUT**

A  
30

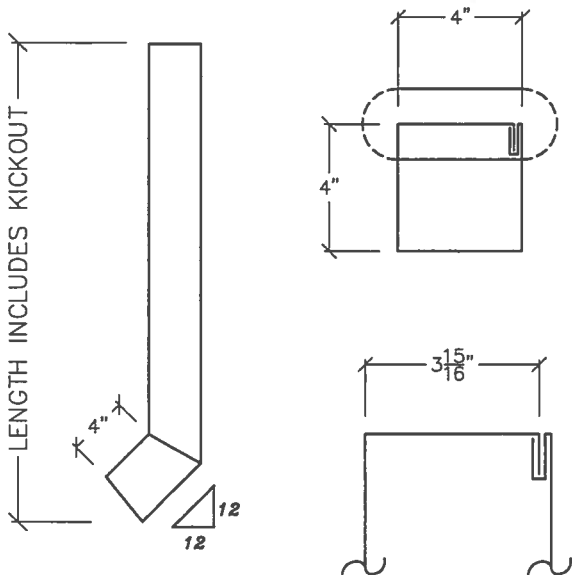


(21 3/4" STRETCH)

REV. 3/19/2014

**OPTIONAL DOWNSPOUT**

A  
31

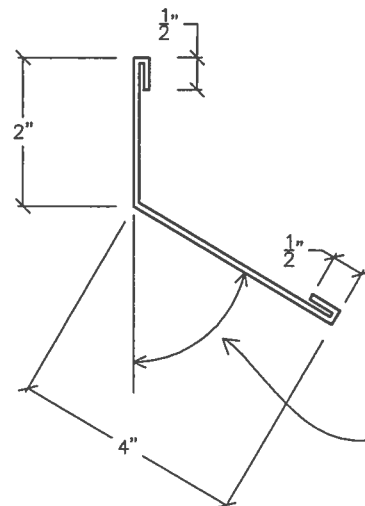


(17 7/8" STRETCH)

**SOFFIT SUPPORT TRIM**

24 GA. MINIMUM

A  
32



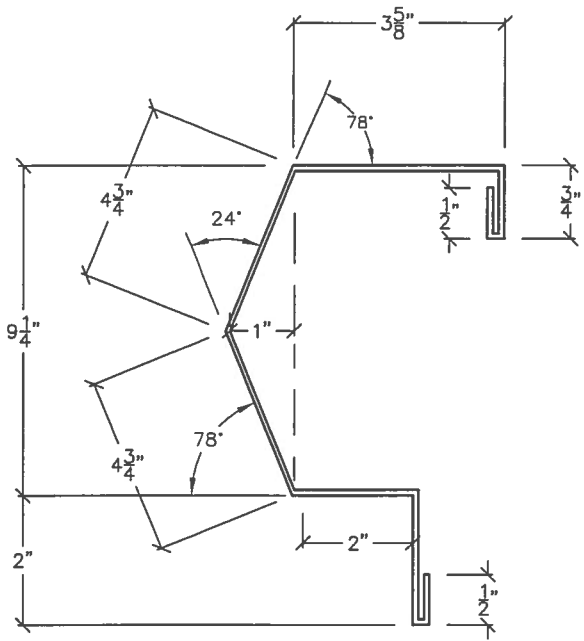
(7" STRETCH)

1/2/12=88°
1/12=85°
2/12=80°
3/12=76°
4/12=71°
5/12=67°
6/12=63°



**S.S.R. RAKE TRIM**  
**UD-DL-BL**

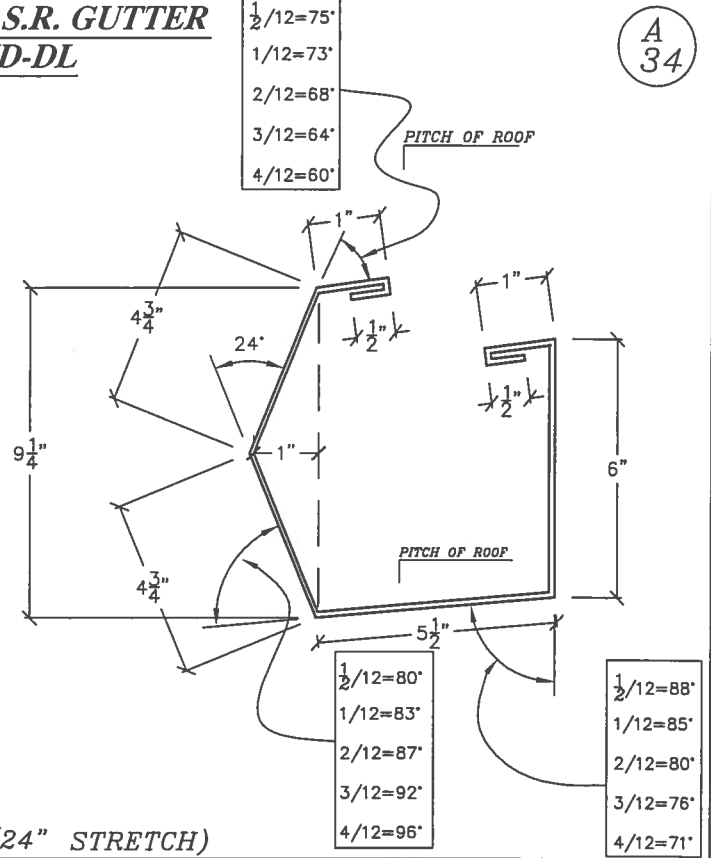
A  
33



( $18\frac{7}{8}$ " STRETCH)

**S.S.R. GUTTER**  
**UD-DL**

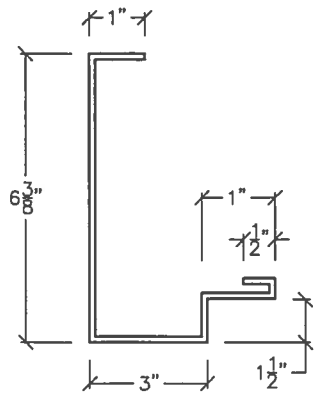
A  
34



( $24$ " STRETCH)

**CANOPY GUTTER**

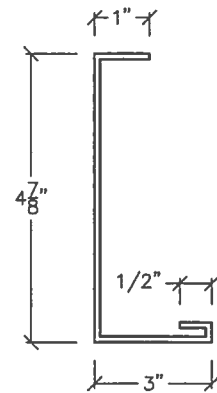
A  
35



( $13\frac{3}{8}$ " STRETCH)

**CANOPY SIDE TRIM**

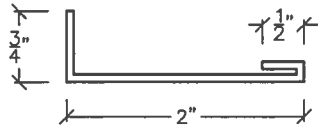
A  
36



( $9\frac{3}{8}$ " STRETCH)

CANOPY SOFFIT TRIM @ WALL

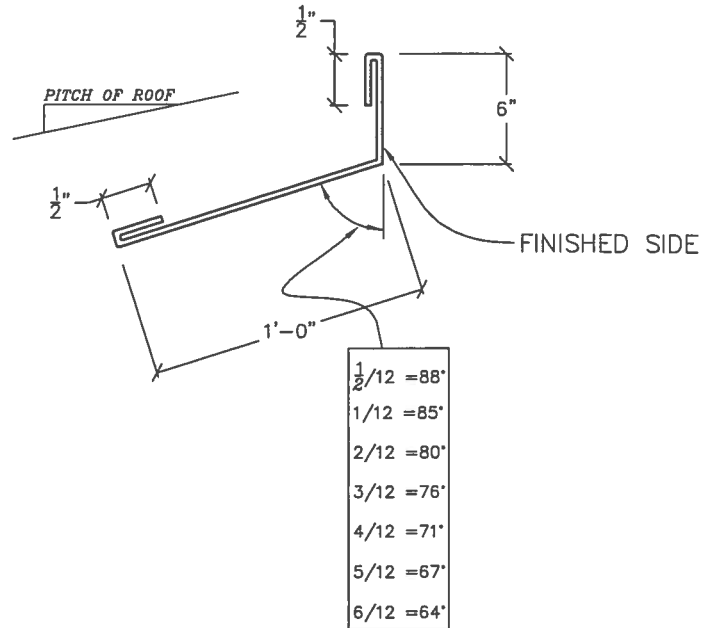
A  
37



(3 1/4" STRETCH)

INSULATION SUPPORT @ LEAN - TO

A  
38

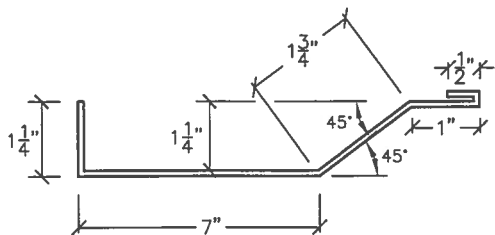


(19" STRETCH)

REV. 3/19/2014

PARTITION WALL TRIM

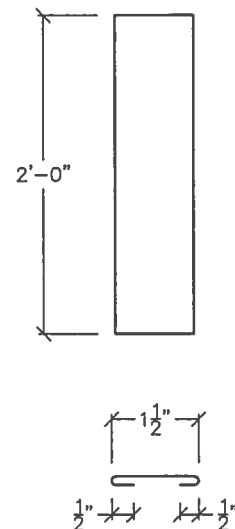
A  
39



(11 1/2" STRETCH)

DOWNSPOUT STRAP

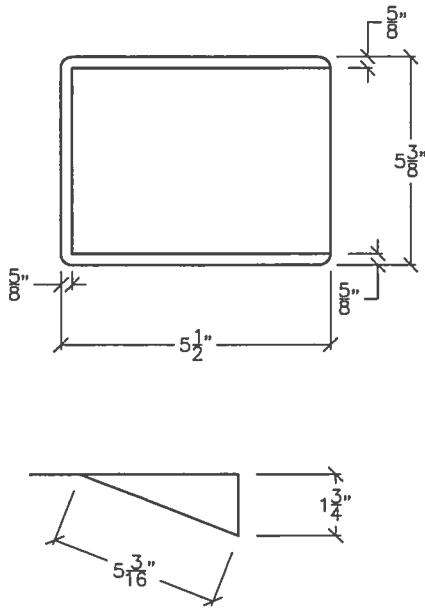
A  
40



(2 1/2" STRETCH)

SCUPPER

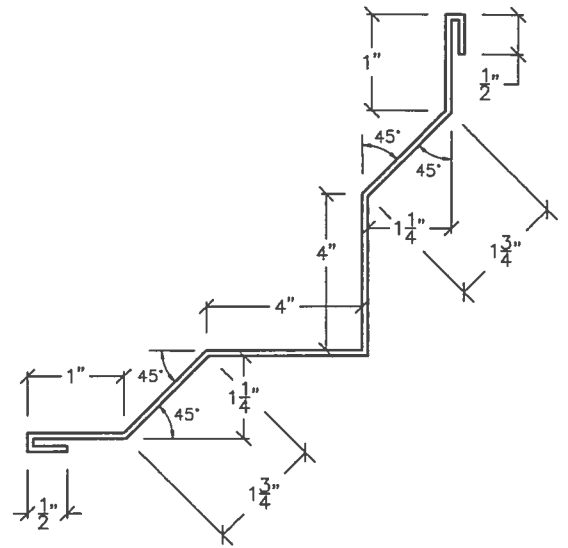
A  
41



(8 7/8" STRETCH)

INSIDE CORNER TRIM  
"R" PANEL

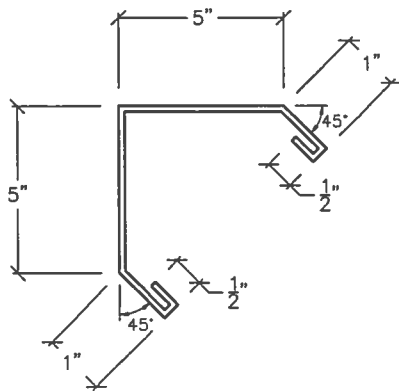
A  
42



(14 1/2" STRETCH)

CORNER TRIM  
"A" PANEL

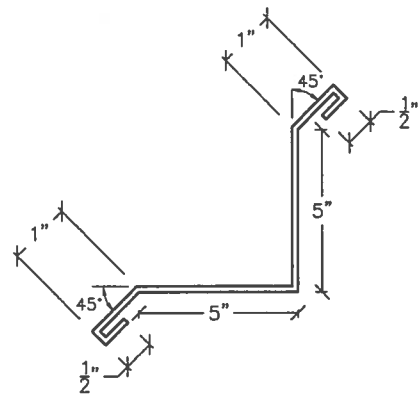
A  
43



(13" STRETCH)

INSIDE CORNER TRIM  
"A" PANEL

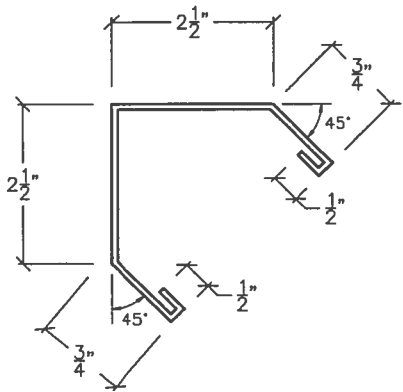
A  
44



(13" STRETCH)

CORNER TRIM FOR "U" PANEL

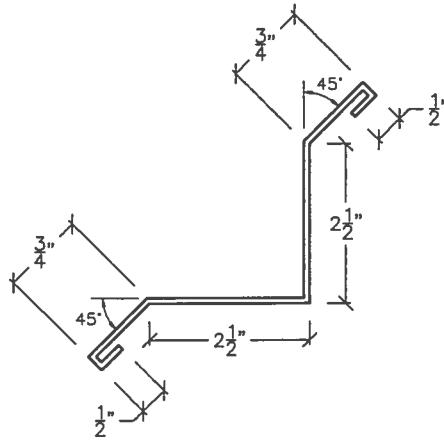
A  
45



(7 1/2" STRETCH)

INSIDE CORNER TRIM FOR "U" PANEL

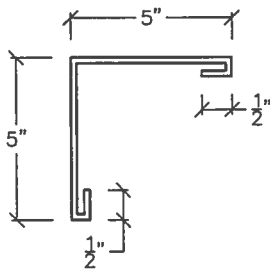
A  
46



(7 1/2" STRETCH)

CORNER TRIM FOR REVERSED "U" PANEL

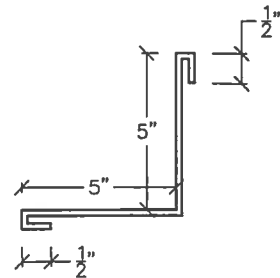
A  
47



(11" STRETCH)

INSIDE CORNER TRIM FOR REVERSED "U" PANEL

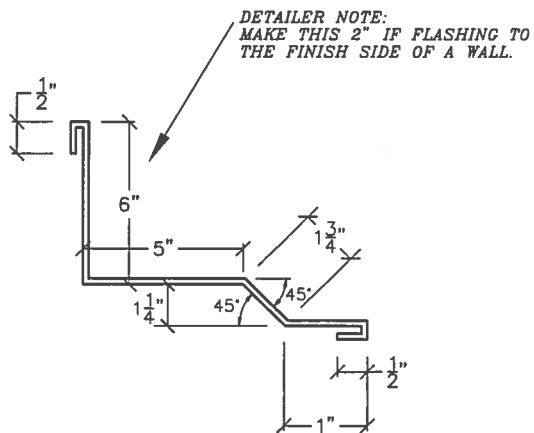
A  
48



(11" STRETCH)

ROOF TRANSITION TRIM

A  
49

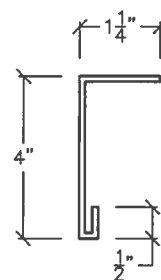


(14 3/4" STRETCH)

REV. 3/19/2014

PARTITION WALL TOP TRIM "R" PANEL

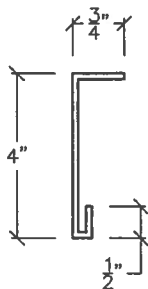
A  
50



(5 3/4" STRETCH)

PARTITION WALL TOP TRIM "U" PANEL

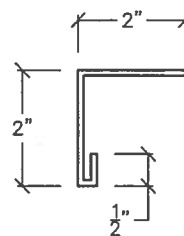
A  
51



(5 1/4" STRETCH)

LINER TOP TRIM @ GIRT

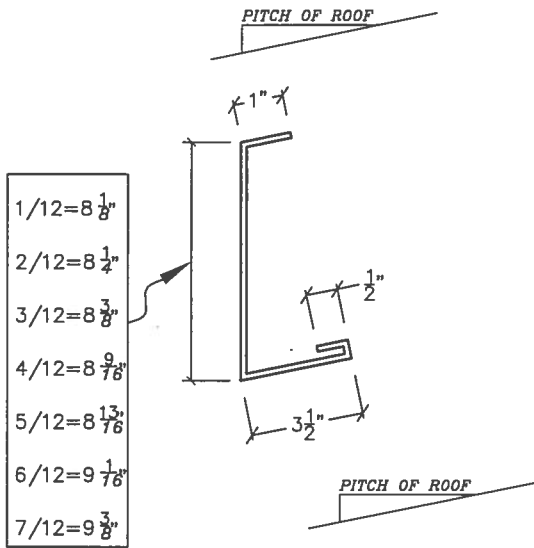
A  
52



(4 1/2" STRETCH)

**OPEN WALL EAVE STRUT WRAP 8" UNCEILED**

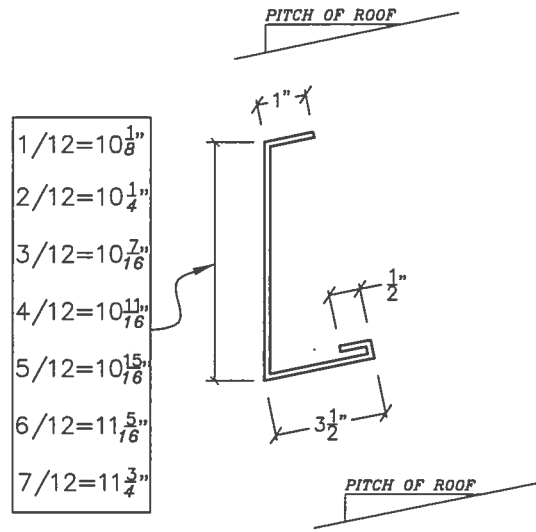
A  
53



(STRETCH VARIES)

**OPEN WALL EAVE STRUT WRAP 10" UNCEILED**

A  
54

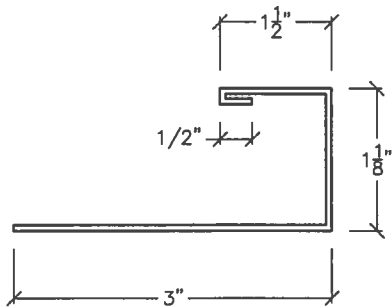


(STRETCH VARIES)

REV. 3/19/2014

**JAMB TRIM FOR L-12**

A  
55

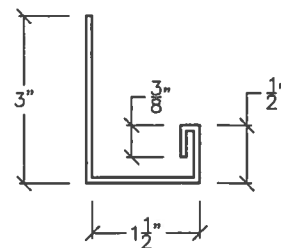


(6 1/8" STRETCH)

REV. 3/19/2014

**HEADER TRIM @ OPEN WALL FOR MASONRY**

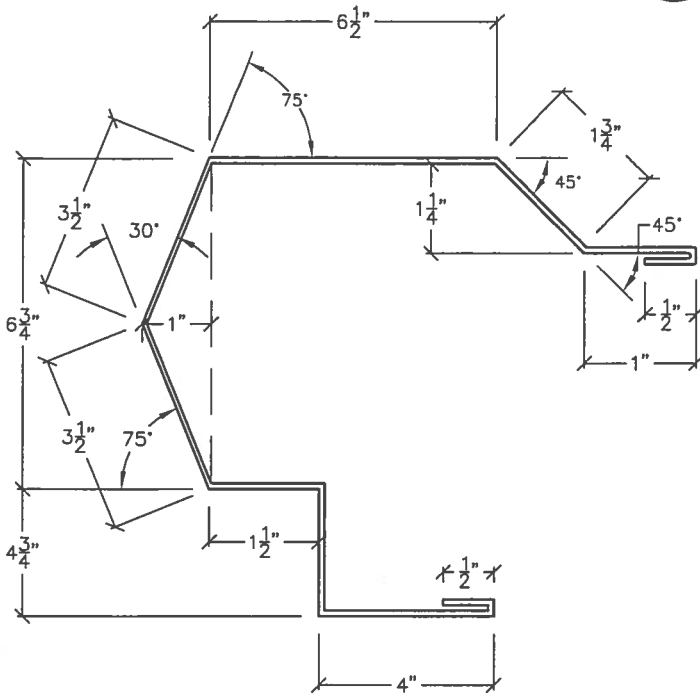
A  
56



(5 3/8" STRETCH)

**UNCEILED CANOPY RAKE 10" "R" PANEL**

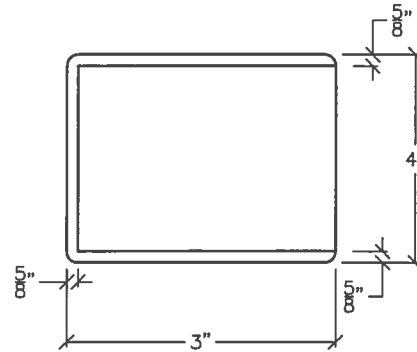
A  
57



(27 1/2" STRETCH)

**CANOPY SCUPPER**

A  
58

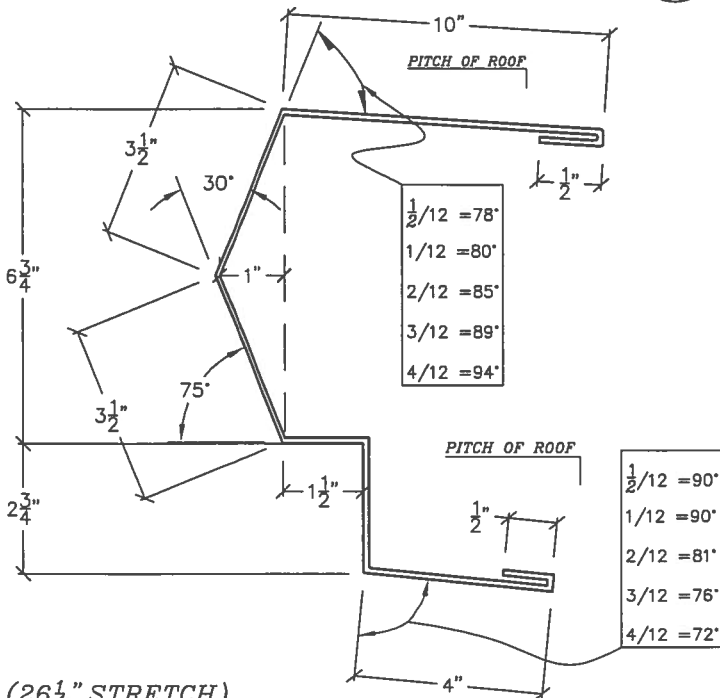


(7 1/2" STRETCH)

REV. 3/19/2014

**UNCEILED HIGH SIDE RAKE 8" OPEN WALL "R" PANEL**

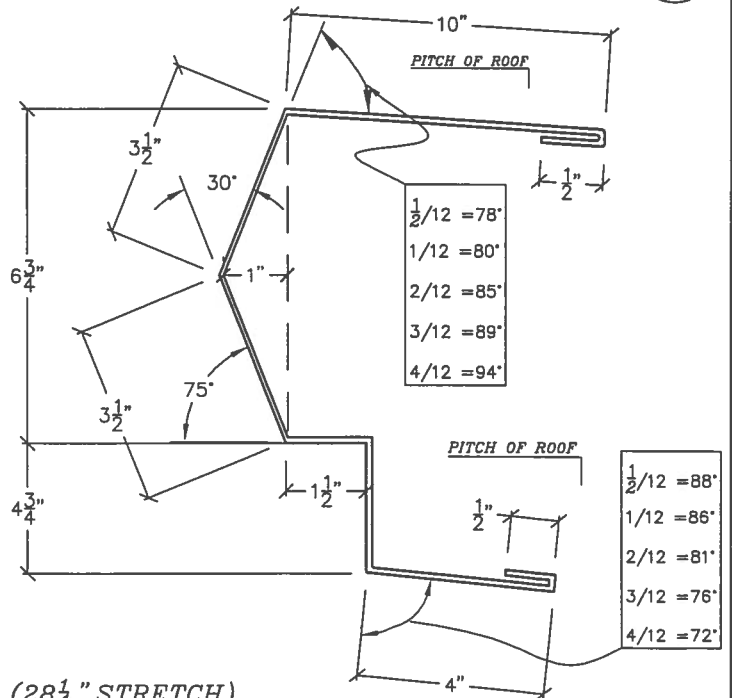
A  
59



(26 1/4" STRETCH)

**UNCEILED HIGH SIDE RAKE 10" OPEN WALL "R" PANEL**

A  
60



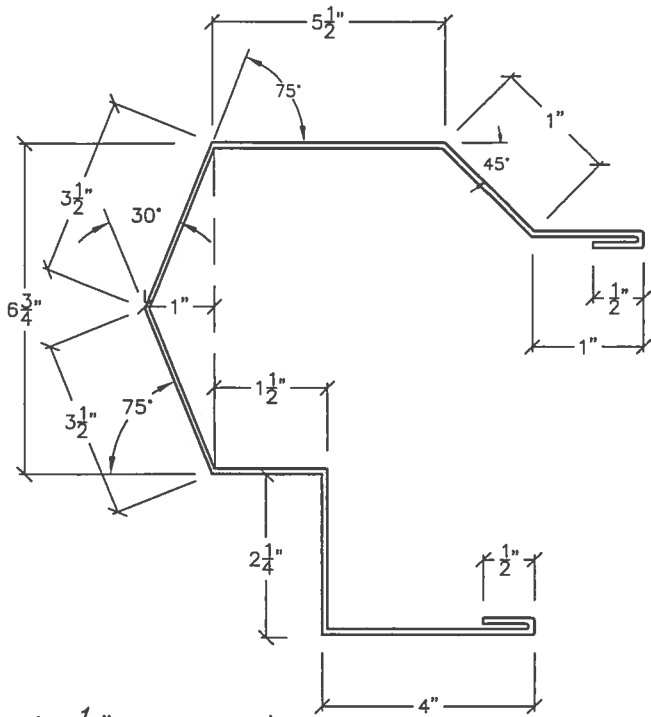
(28 1/4" STRETCH)





**UNCEILED CANOPY RAKE 8"**  
**"U" PANEL**

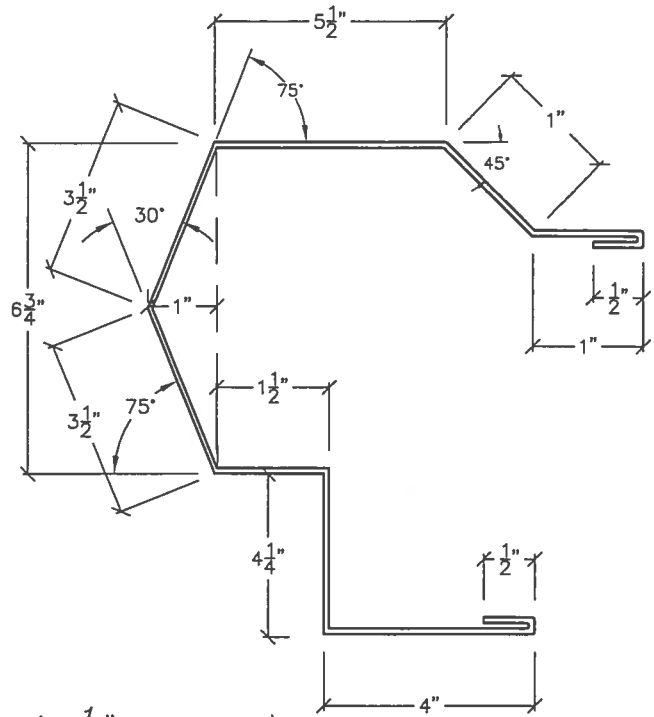
A  
65



(23 1/4" STRETCH)

**UNCEILED CANOPY RAKE 10"**  
**"U" PANEL**

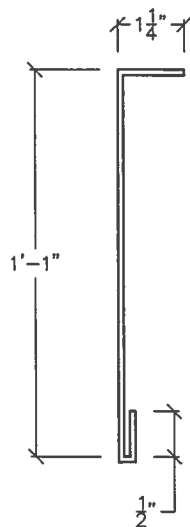
A  
66



(25 1/4" STRETCH)

**PURLIN FLASHING 10" "R" PANEL**

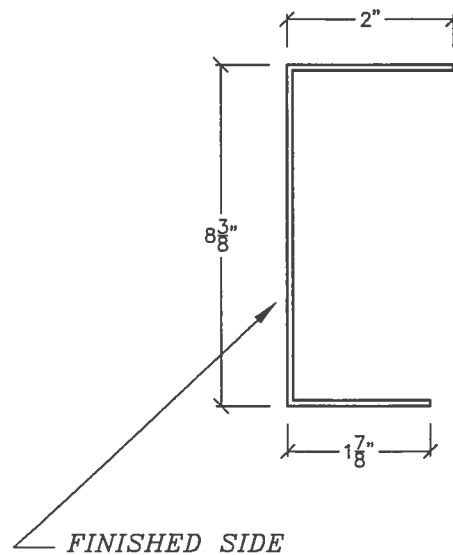
A  
67



(14 3/4" STRETCH)

**SPECIAL CHANNEL COVER**  
**8" OPEN CEE**

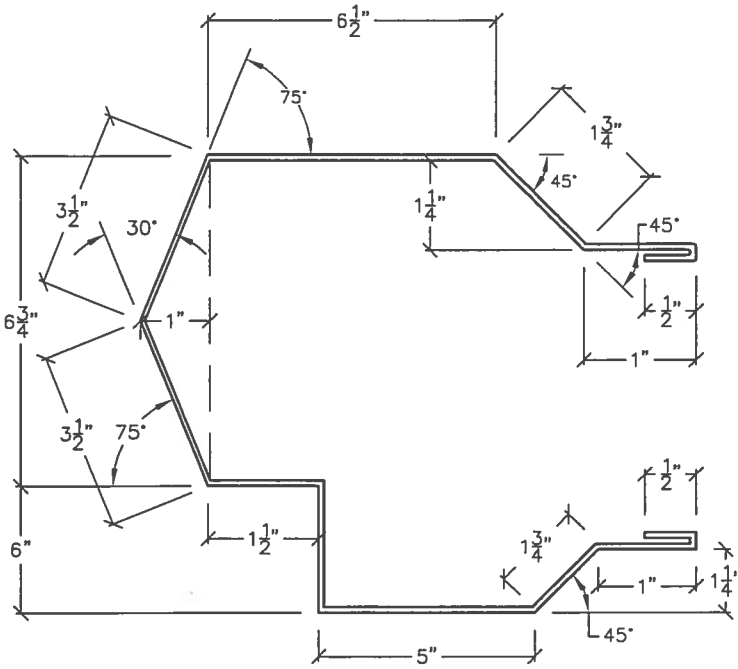
A  
68



(12 1/4" STRETCH)

**CEILED CANOPY RAKE 10"**  
**"R" PANEL ROOF & SOFFIT**

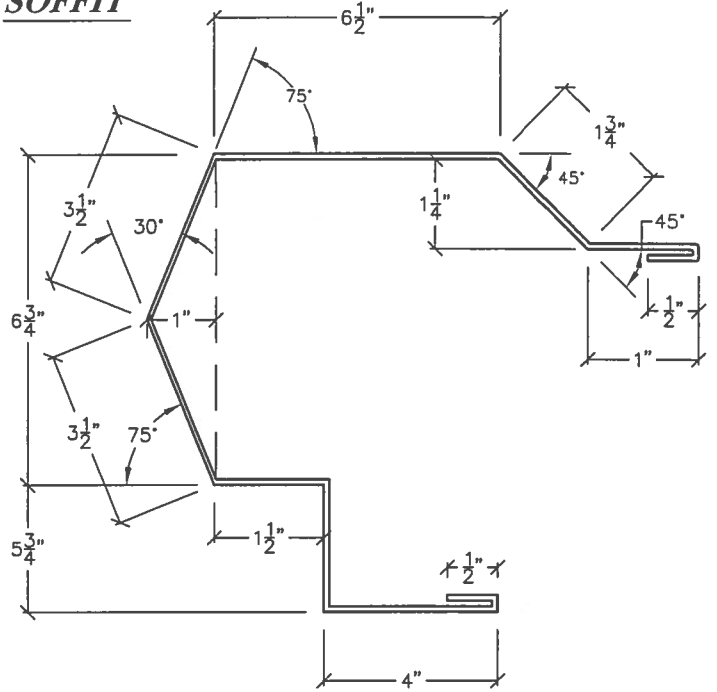
A  
69



(32 1/2" STRETCH)

**CEILED CANOPY RAKE 10"**  
**"R" PANEL ROOF/REV."U" & L-12**  
**SOFFIT**

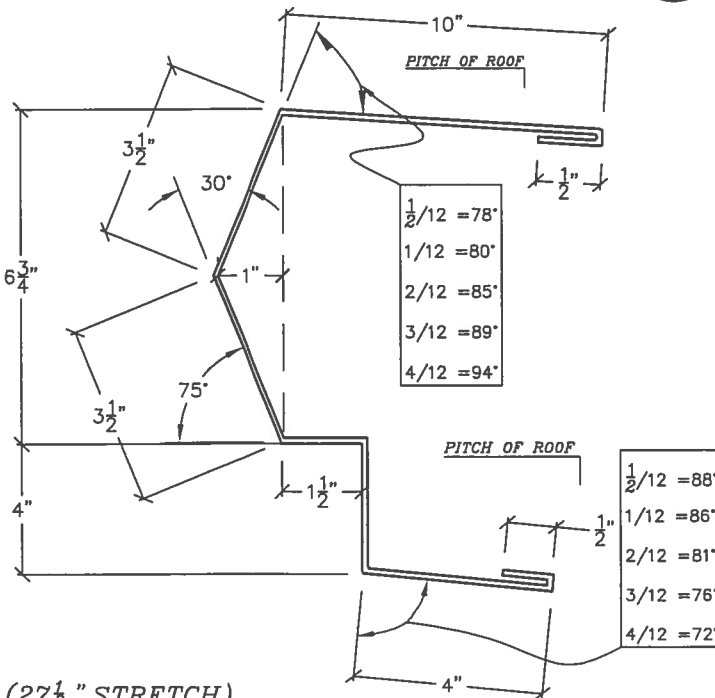
A  
70



(28 1/2" STRETCH)

**CEILED HIGH SIDE RAKE 8"**  
**"R" PANEL ROOF & SOFFIT**

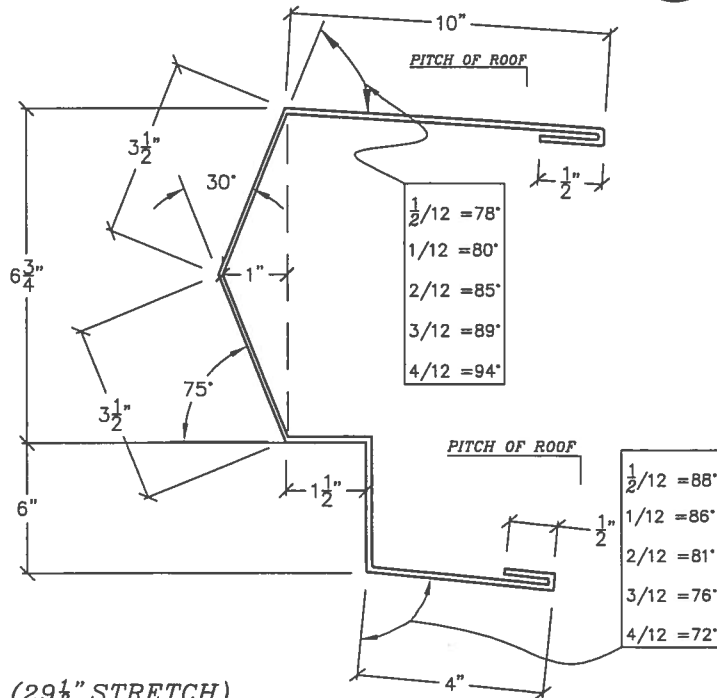
A  
71



(27 1/2" STRETCH)

**CEILED HIGH SIDE RAKE 10"**  
**"R" PANEL ROOF & SOFFIT**

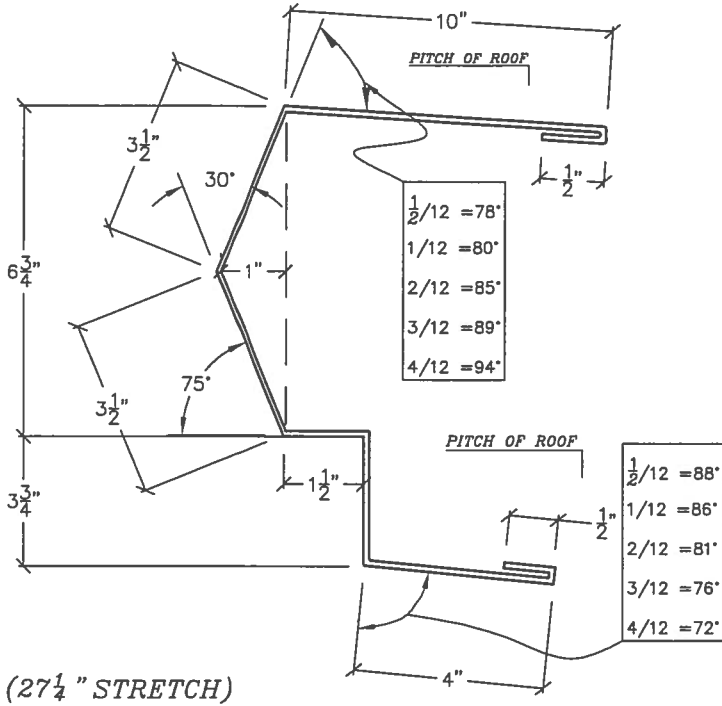
A  
72



(29 1/2" STRETCH)

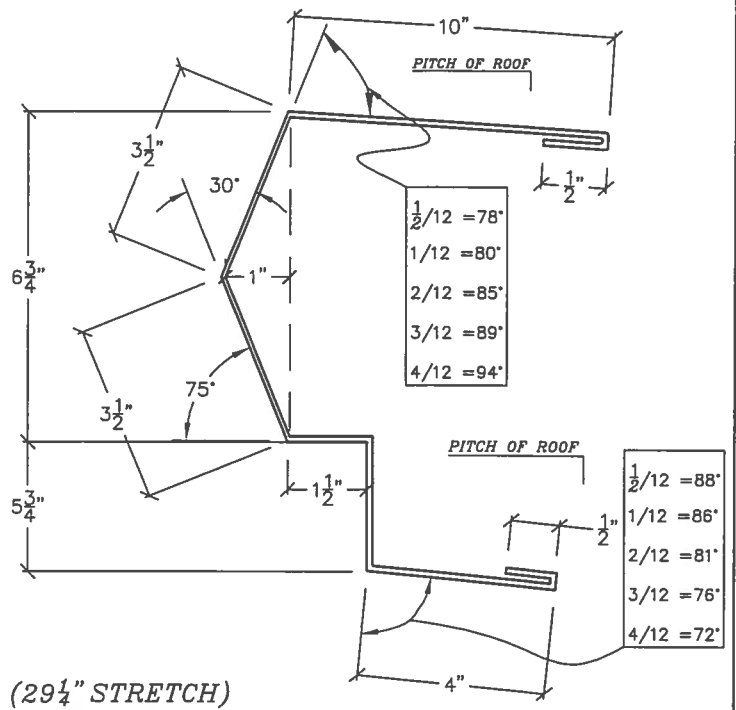
**CEILED HIGH SIDE RAKE 8"**  
**"R" ROOF / "U" & L-12 SOFFIT**  
**"U" ROOF / "R" SOFFIT**

A  
73



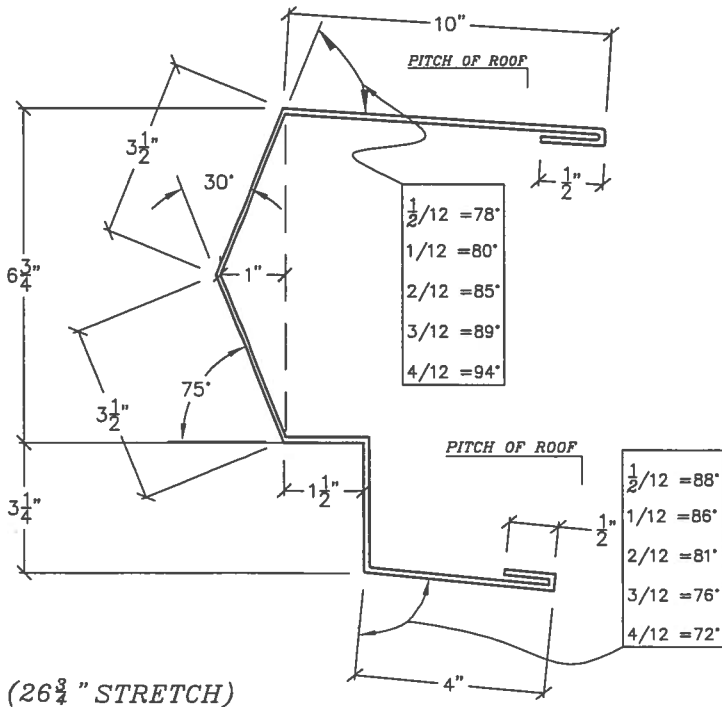
**CEILED HIGH SIDE RAKE 10"**  
**"R" ROOF / "U" & L-12 SOFFIT**  
**"U" ROOF / "R" SOFFIT**

A  
74



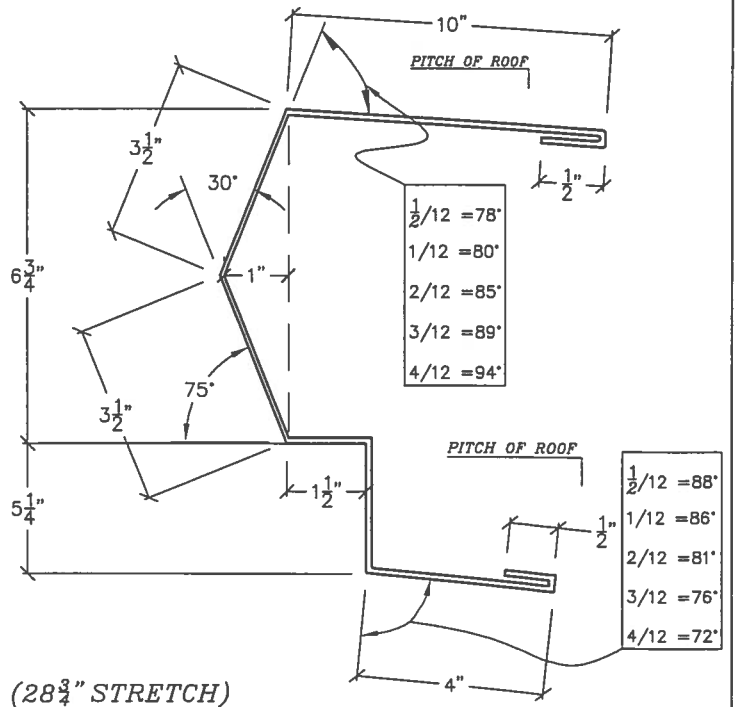
**CEILED HIGH SIDE RAKE 8"**  
**"U" ROOF / "U" & L-12 SOFFIT**

A  
75



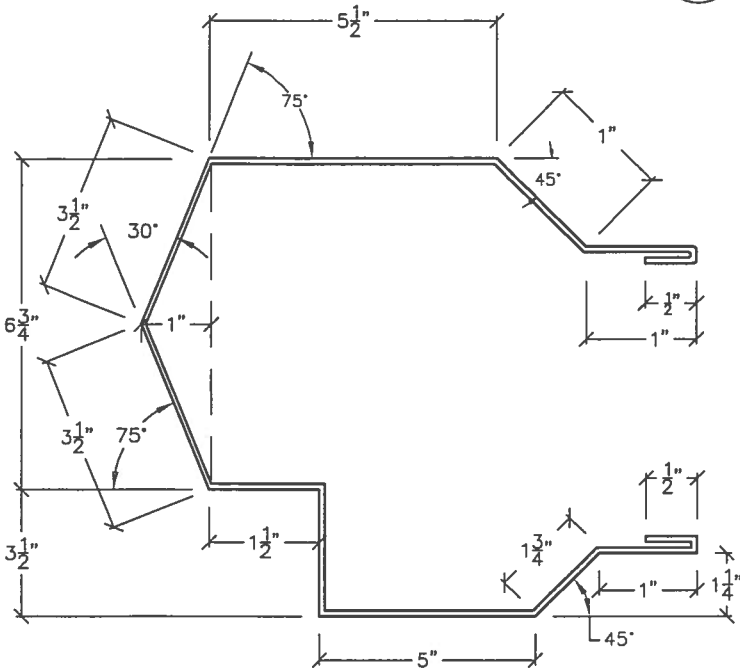
**CEILED HIGH SIDE RAKE 10"**  
**"U" ROOF / "U" & L-12 SOFFIT**

A  
76



**CEILED CANOPY RAKE 8"**  
**"U" PANEL ROOF/"R" PANEL SOFFIT**

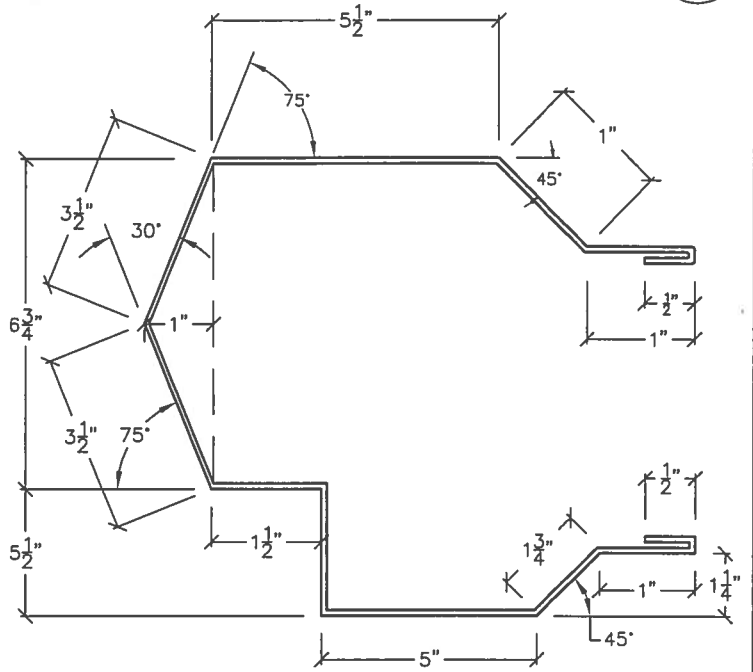
A  
77



(28 1/4" STRETCH)

**CEILED CANOPY RAKE 10"**  
**"U" PANEL ROOF/"R" PANEL SOFFIT**

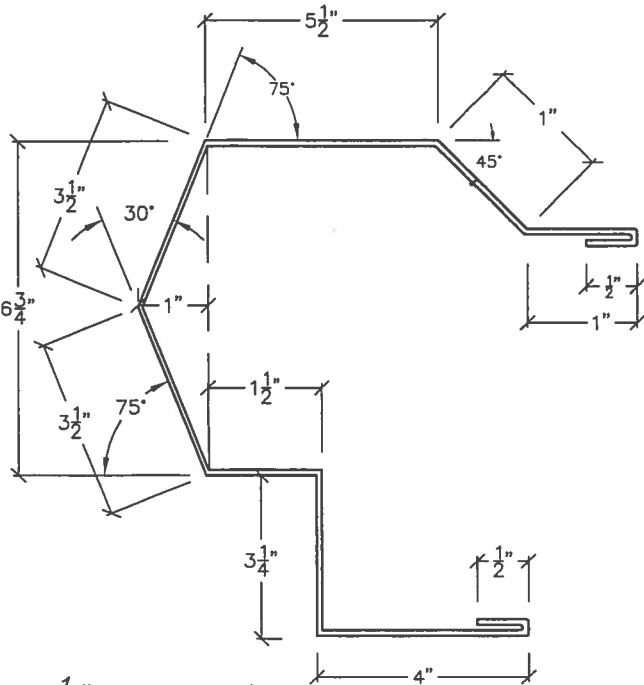
A  
78



(30 1/4" STRETCH)

**CEILED CANOPY RAKE 8"**  
**"U" ROOF/"U" & L-12 SOFFIT**

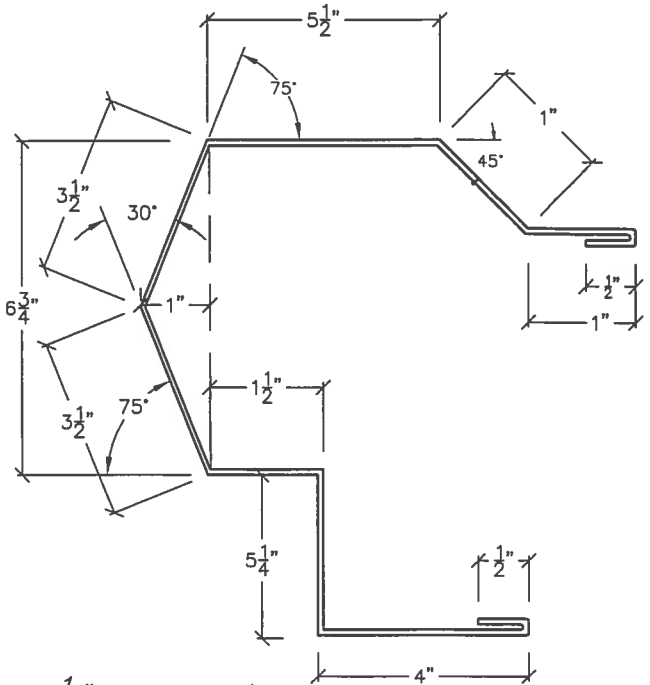
A  
79



(24 1/4" STRETCH)

**CEILED CANOPY RAKE 10"**  
**"U" ROOF/"U" & L-12 SOFFIT**

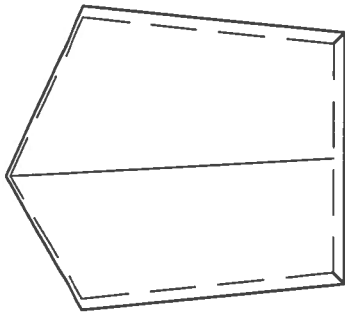
A  
80



(26 1/4" STRETCH)

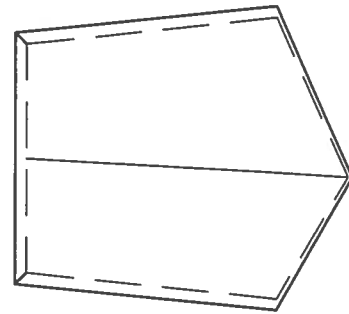
RIGHT GUTTER END

A  
81



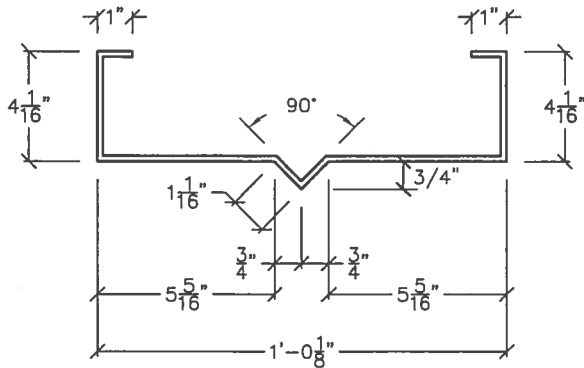
LEFT GUTTER END

A  
82



12" COLUMN WRAP

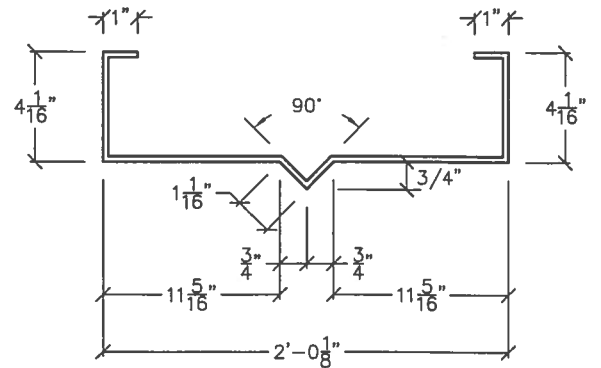
A  
83



(22 7/8" STRETCH)

24" COLUMN WRAP

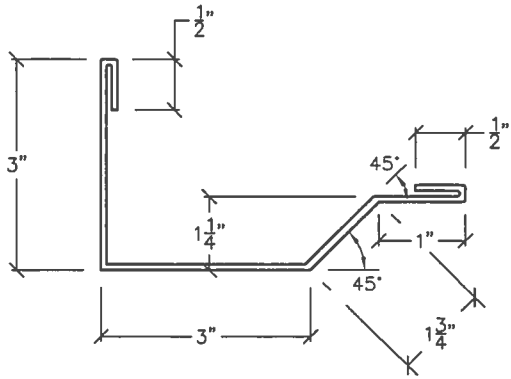
A  
84



(34 7/8" STRETCH)

**MINI-WAREHOUSE CORNER TRIM**

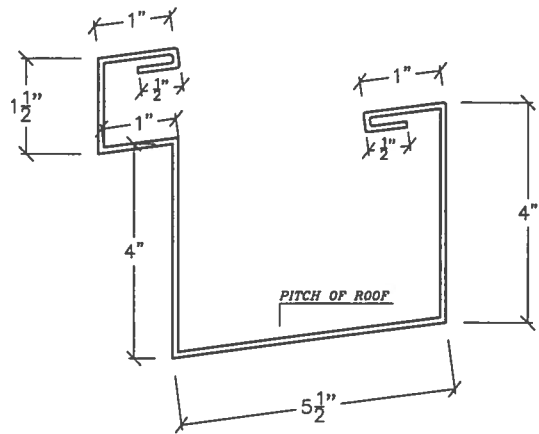
A  
85



(9 3/4" STRETCH)

**"R" BOX GUTTER**

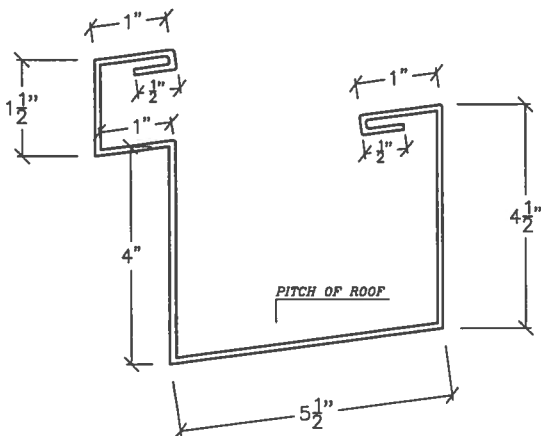
A  
86



(19" STRETCH)

**"U" BOX GUTTER**

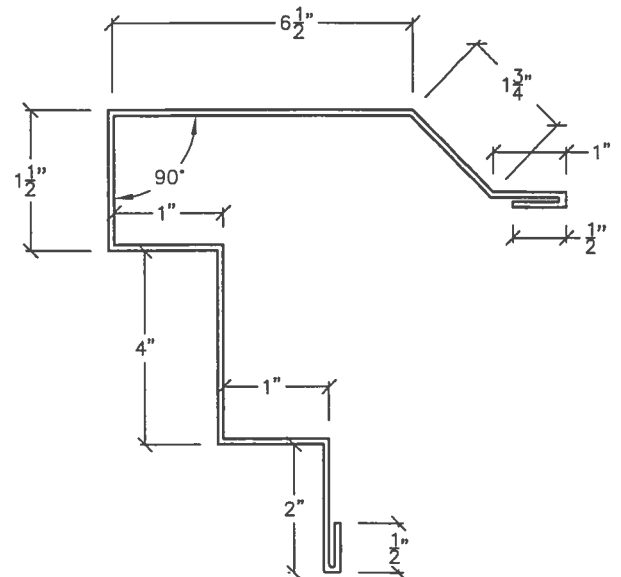
A  
87



(19 1/2" STRETCH)

**"R" BOX RAKE**

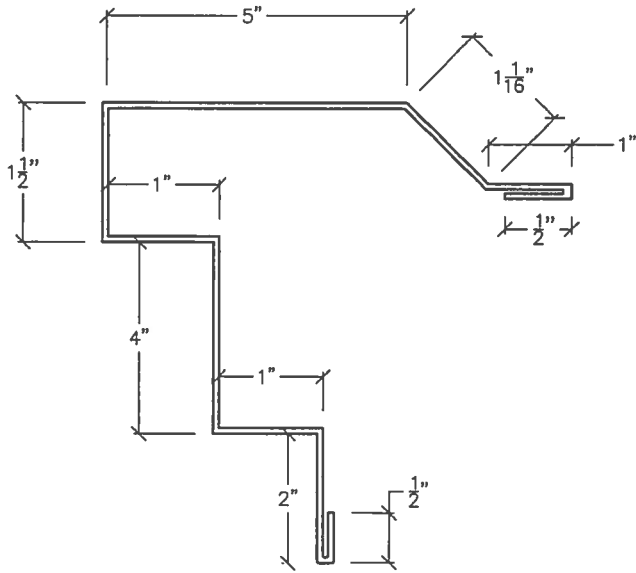
A  
88



(19 3/4" STRETCH)

**"U" BOX RAKE**

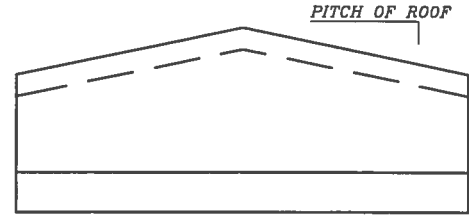
A  
89



(17 <sup>8</sup>/<sub>16</sub>" STRETCH)

**S.S.R. PEAK BOX**

A  
90

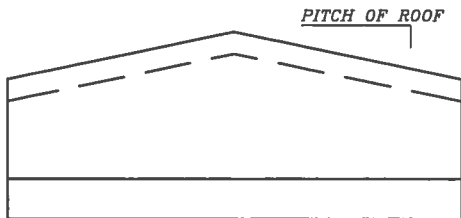


DETAILER NOTE:  
SPECIFY SSR TYPE AND  
PITCH OF ROOF

REV. 3/19/2014

**PEAK BOX "U" PANEL**

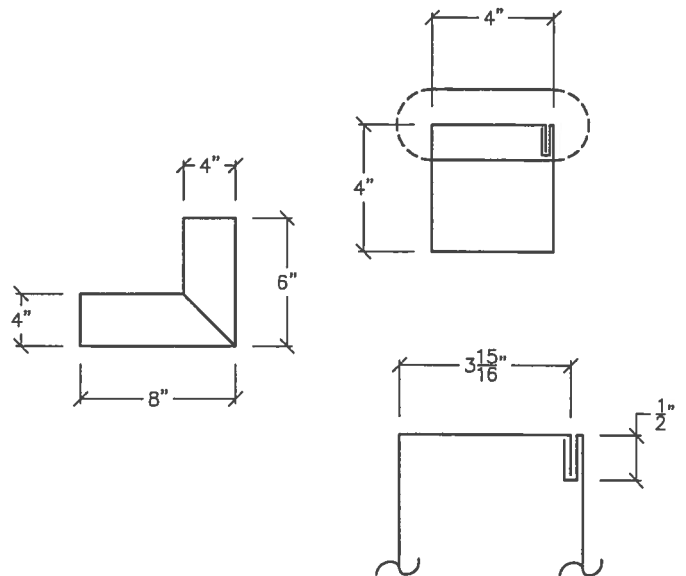
A  
91



REV. 3/19/2014

**PIG SPOUT**

A  
92

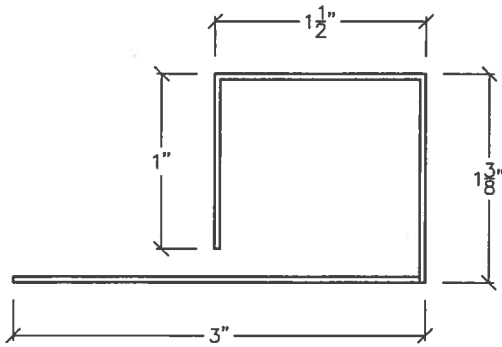


(17 <sup>7</sup>/<sub>16</sub>" STRETCH)

REV. 3/19/2014

**SPECIAL DOOR JAM TRIM**

A  
93

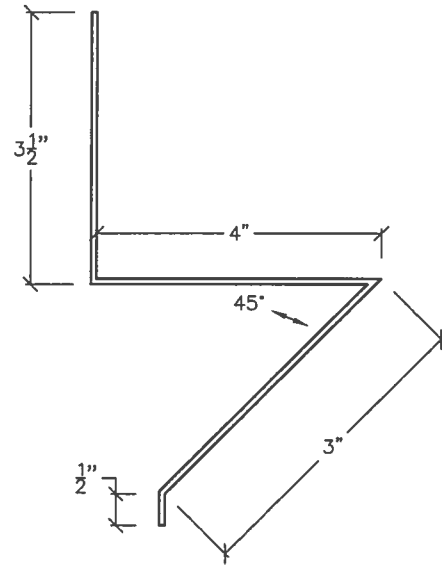


(6 7/8" STRETCH)

REV. 3/19/2014

**BRICK FLASHING**

A  
94

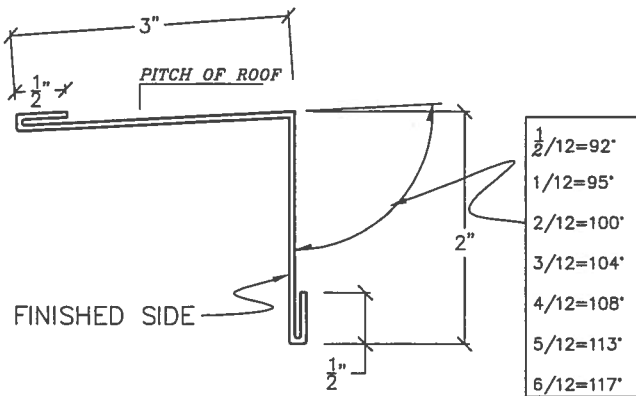


(11" STRETCH)

REV. 3/19/2014

**WALL ANGLE TRIM**

A  
95

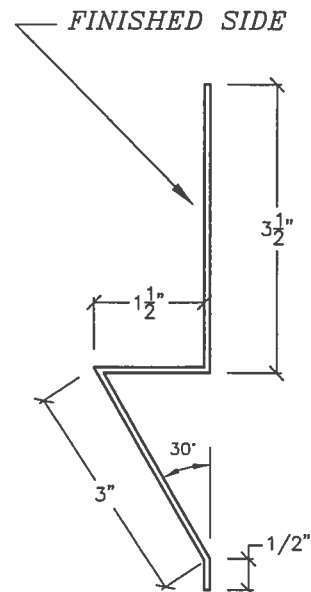


(6" STRETCH)

REV. 3/19/2014

**ALT. BASE TRIM**

A  
96



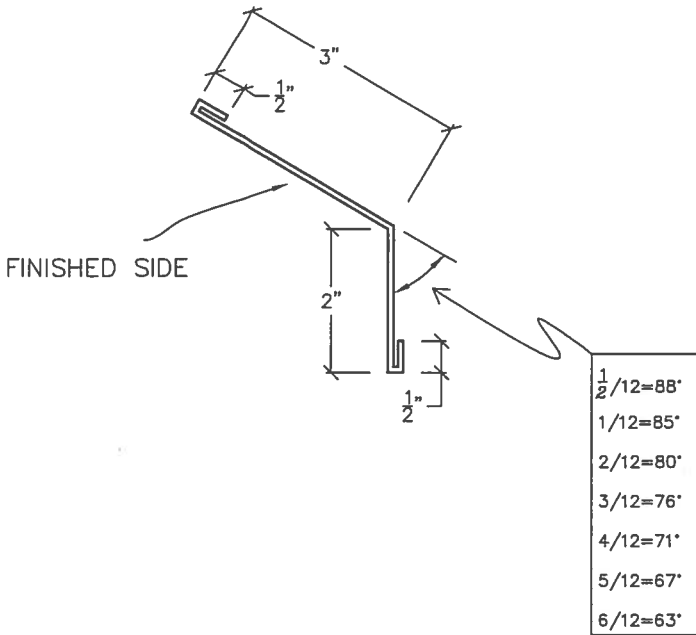
(8 1/2" STRETCH)

REV. 3/19/2014



**REVERSE WALL ANGLE TRIM**

A  
97

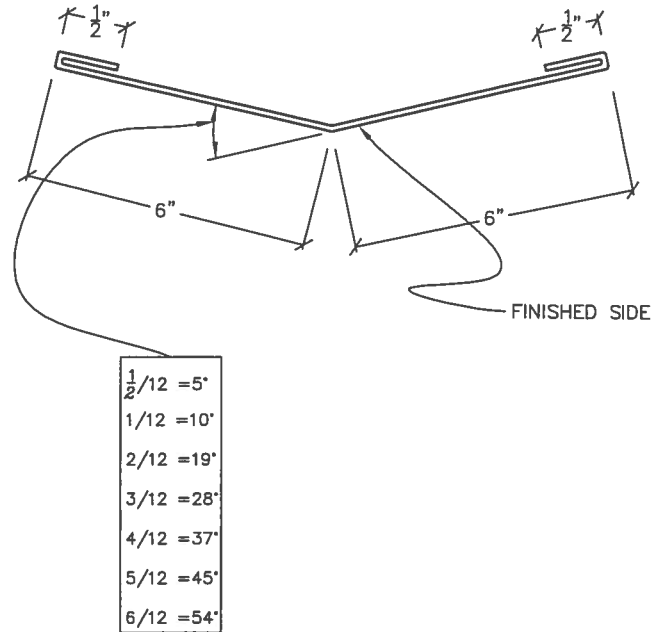


(6" STRETCH)

REV. 3/19/2014

**SOFFIT TRANSITION TRIM**

A  
98

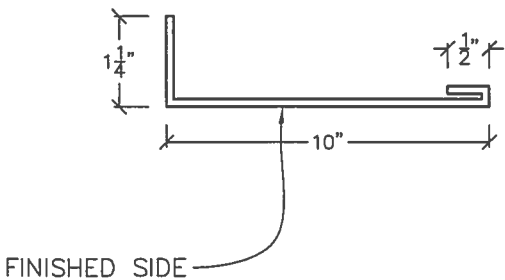


(13" STRETCH)

REV. 3/19/2014

**"U" PARTITION WALL TRIM 8"**

A  
99

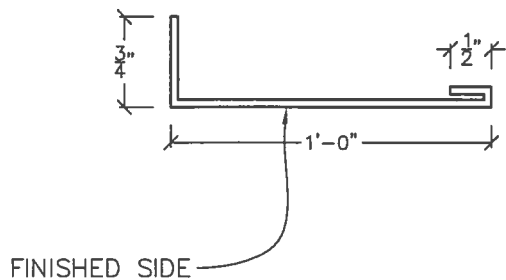


(11 3/4" STRETCH)

REV. 3/19/2014

**"U" PARTITION WALL TRIM 10"**

A  
100

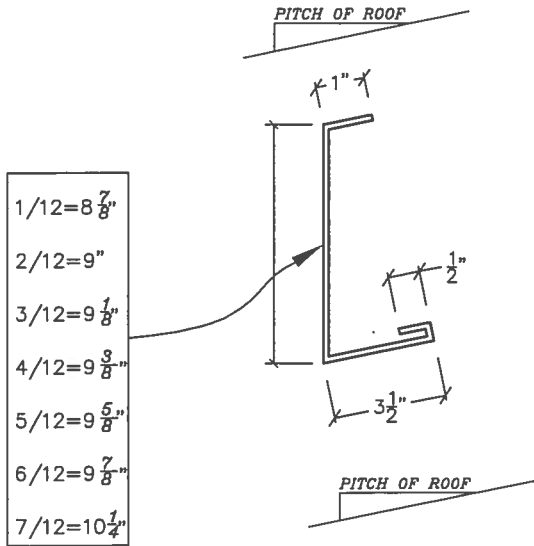


(13 1/4" STRETCH)

REV. 3/19/2014

**OPEN WALL EAVE STRUT WRAP 8" W/ "U" SOFFIT**

A  
101

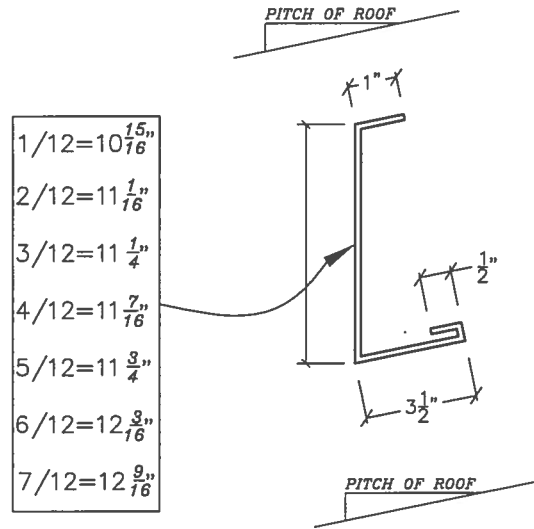


(STRETCH VARIES)

REV. 3/19/2014

**OPEN WALL EAVE STRUT WRAP 10" W/ "U" SOFFIT**

A  
102

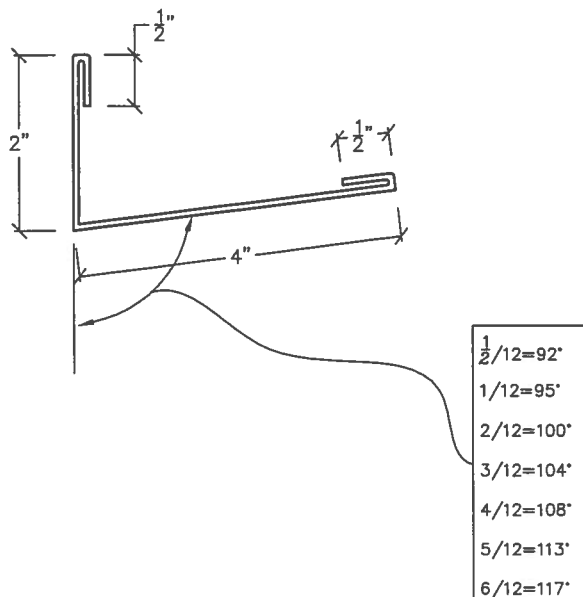


(STRETCH VARIES)

REV. 3/19/2014

**REVERSE SOFFIT SUPPORT TRIM 24 GA. MINIMUM**

A  
103

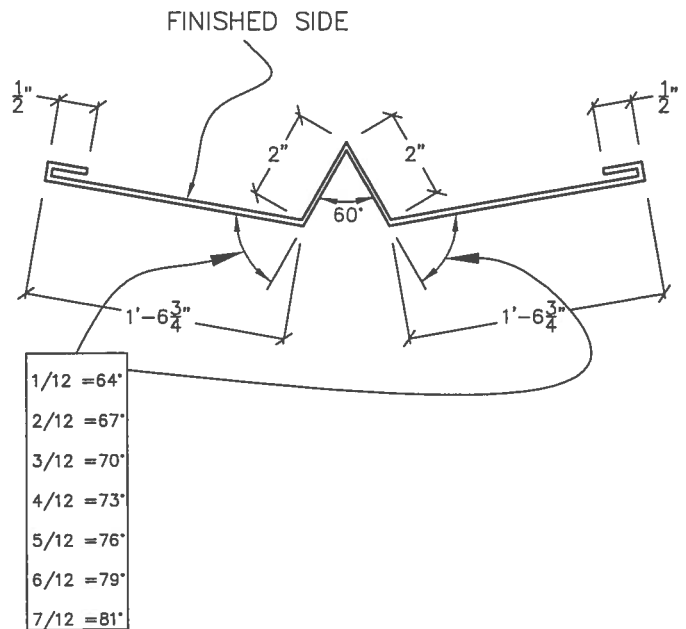


(7" STRETCH)

REV. 3/19/2014

**VALLEY FLASHING**

A  
104

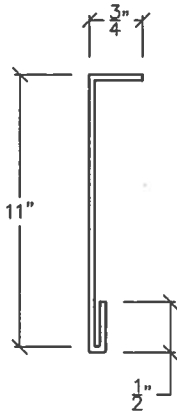


(42 1/2" STRETCH)

REV. 3/19/2014

PURLIN FLASHING 8" "U"

A  
105

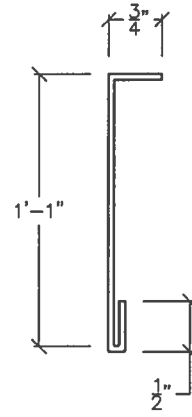


(12 1/4" STRETCH)

REV. 3/19/2014

PURLIN FLASHING 10" "U"

A  
106

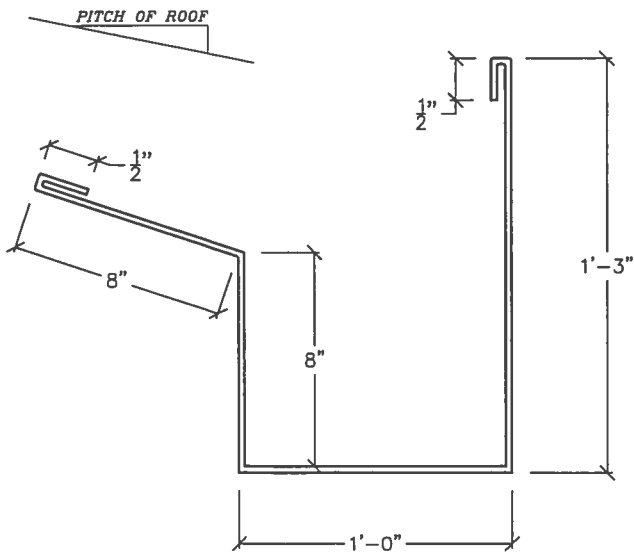


(14 1/4" STRETCH)

REV. 3/19/2014

VALLEY GUTTER

A  
107

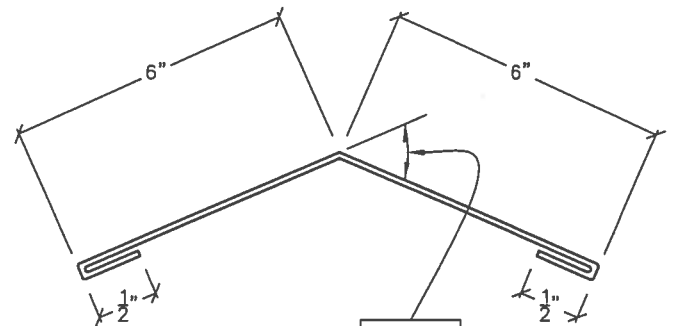


(3' - 8" STRETCH)

REV. 3/19/2014

HIP FLASHING

A  
108



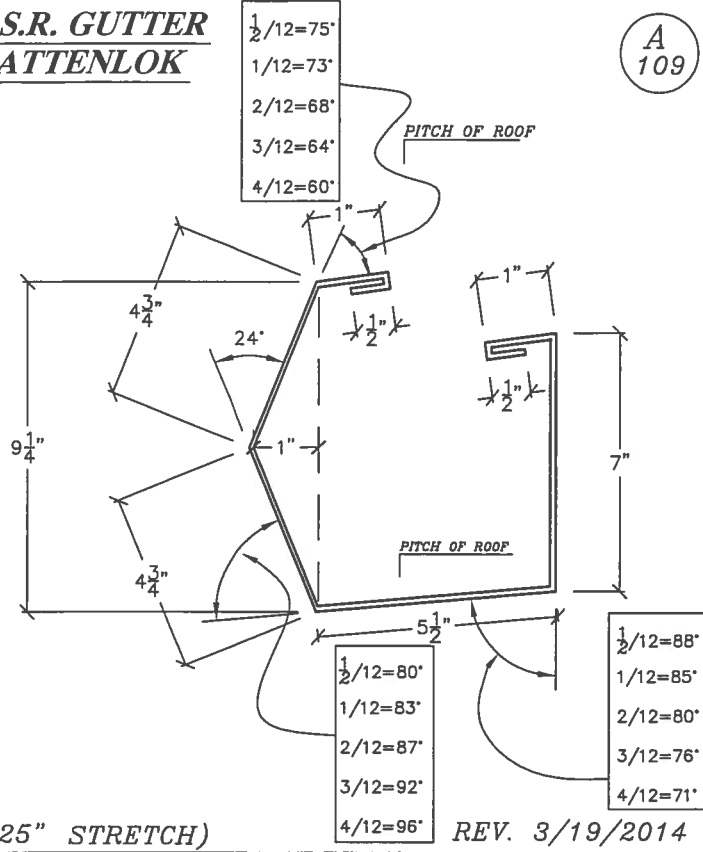
1/12 = 7'
2/12 = 14'
3/12 = 20'
4/12 = 26'
5/12 = 32'
6/12 = 37'
7/12 = 42'

(13" STRETCH)

REV. 3/19/2014

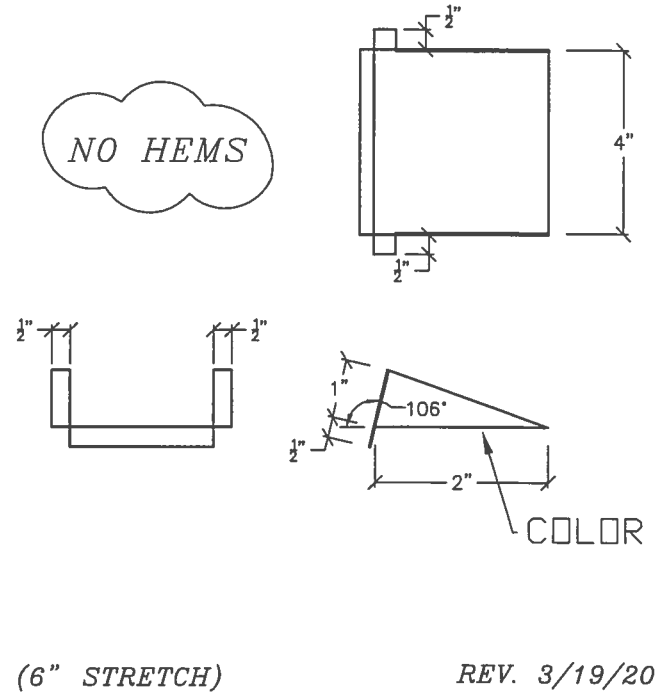
**S.S.R. GUTTER  
BATTENLOK**

A  
109



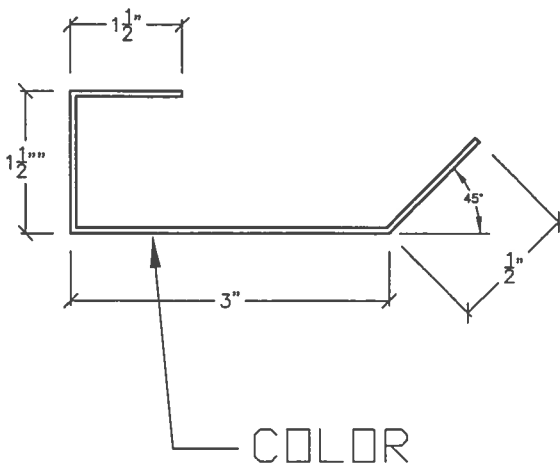
**OVERFLOW SCUPPER FOR GUTTER**

A  
110



**VENTED RIDGE TRIM**

A  
111



A  
112